



Ice Maker
Model IC-CN-0040
Item 27936
Instruction Manual



Revised - 06/23/2023



Toll Free: 1-800-465-0234
Fax: 905-607-0234
Email: service@omcan.com
www.omcan.com



Table of Contents

Model IC-CN-0040

Section	Page
Disclaimer -----	3
General Information -----	4 - 5
Safety and Warranty -----	5 - 6
Technical Specifications -----	7
Installation -----	7 - 8
Operation -----	8 - 11
Maintenance -----	11 - 13
Troubleshooting -----	14 - 20
Instructions Français -----	21 - 36
Instrucciones en Español -----	36 - 53
Parts Breakdown -----	54 - 55
Electrical Schematics -----	56
Notes -----	57 - 58
Warranty Registration -----	59

Disclaimer

OMCAN IS NOT RESPONSIBLE FOR ANY DAMAGES DUE TO WATER LEAKS. WARRANTY FOR WATER LEAKS IS VOID IF THE WICKING PAD IS NOT REPLACED EVERY SIX MONTHS, AND IF THE AMBIENT ROOM TEMPERATURE EXCEEDS 75°F AND 55% RELATIVE HUMIDITY, AND THE APPLIANCE DRAIN IS NOT CONNECTED DIRECTLY TO THE FLOOR DRAIN.

OMCAN N'EST PAS RESPONSABLE DES DOMMAGES DUS AUX FUITES D'EAU. LA GARANTIE POUR LES FUITES D'EAU EST ANNULÉE SI LE TAMPON ABSORBANT N'EST PAS REMPLACÉ TOUS LES SIX MOIS, ET SI LA TEMPÉRATURE AMBIANTE DE LA PIÈCE DÉPASSE 75 °F ET 55 % D'HUMIDITÉ RELATIVE, ET QUE LE DRAIN DE L'APPAREIL N'EST PAS RACCORDÉ DIRECTEMENT AU DRAIN DE PLANCHER.

OMCAN NO SE HACE RESPONSABLE DE LOS DAÑOS CAUSADOS POR FUGAS DE AGUA. LA GARANTÍA POR FUGAS DE AGUA QUEDA ANULADA SI LA ALMOHADILLA ABSORBENTE NO SE REEMPLAZA CADA SEIS MESES, Y SI LA TEMPERATURA AMBIENTE SUPERA LOS 75 °F Y EL 55 % DE HUMEDAD RELATIVA, Y EL DESAGÜE DEL APARATO NO ESTÁ CONECTADO DIRECTAMENTE AL DESAGÜE DEL PISO.

General Information

Omcan Manufacturing and Distributing Company Inc., Food Machinery of America, Inc. dba Omcan and Omcan Inc. are not responsible for any harm or injury caused due to any person's improper or negligent use of this equipment. The product shall only be operated by someone over the age of 18, of sound mind, and not under the influence of any drugs or alcohol, who has been trained in the correct operation of this machine, and is wearing authorized, proper safety clothing. Any modification to the machine voids any warranty, and may cause harm to individuals using the machine or in the vicinity of the machine while in operation.

CHECK PACKAGE UPON ARRIVAL

Upon receipt of an Omcan shipment please inspect for external damage. If no damage is evident on the external packaging, open carton to ensure all ordered items are within the box, and there is no concealed damage to the machine. If the package has suffered rough handling, bumps or damage (visible or concealed), please note it on the bill of lading before accepting the delivery and contact Omcan within 24 hours, so we may initiate a claim with the carrier. A detailed report on the extent of the damage caused to the machine must be filled out within three days, from the delivery date shown in the shipping documents. Omcan has no recourse for damaged products that were shipped collect or third party.

Before operating any equipment, always read and familiarize yourself with all operation and safety instructions.

Omcan would like to thank you for purchasing this machine. It's of the utmost importance to save these instructions for future reference. Also save the original box and packaging for shipping the equipment if servicing or returning of the machine is required.

Omcan Fabrication et distribution Compagnie Limitée et Food Machinery d'Amérique, dba Omcan et Omcan Inc. ne sont pas responsables de tout dommage ou blessure causé du fait que toute personne ait utilisé cet équipement de façon irrégulière. Le produit ne doit être exploité que par quelqu'un de plus de 18 ans, sain d'esprit, et pas sous l'influence d'une drogue ou d'alcool, qui a été formé pour utiliser cette machine correctement, et est vêtu de vêtements de sécurité appropriés. Toute modification de la machine annule toute garantie, et peut causer un préjudice à des personnes utilisant la machine ou des personnes à proximité de la machine pendant son fonctionnement.

VÉRIFIEZ LE COLIS DÈS RÉCEPTION

Dès réception d'une expédition d'Omcan veuillez inspecter pour dommages externes. Si aucun dommage n'est visible sur l'emballage externe, ouvrez le carton afin de s'assurer que tous les éléments commandés sont dans la boîte, et il n'y a aucun dommage dissimulé à la machine. Si le colis n'a subi aucune mauvaises manipulations, de bosses ou de dommages (visible ou cachée), notez-le sur le bond de livraison avant d'accepter la livraison et contactez Omcan dans les 24 heures qui suivent, pour que nous puissions engager une réclamation auprès du transporteur. Un rapport détaillé sur l'étendue des dommages causés à la machine doit être rempli dans un délai de trois jours, à compter de la date de livraison indiquée dans les documents d'expédition. Omcan n'a aucun droit de recours pour les produits endommagés qui ont été expédiés ou cueilli par un tiers transporteur.



General Information

Avant d'utiliser n'importe quel équipement, toujours lire et vous familiariser avec toutes les opérations et les consignes de sécurité.

Omcan voudrais vous remercier d'avoir choisi cette machine. Il est primordial de conserver ces instructions pour une référence ultérieure. Également conservez la boîte originale et l'emballage pour l'expédition de l'équipement si l'entretien ou le retour de la machine est nécessaire.

Omcan Empresa De Fabricacion Y Distribucion Inc. Y Maquinaria De Alimentos De America, Inc. dba Omcan y Omcan Inc. no son responsables de ningun daño o perjuicio causado por cualquier persona inadecuada o el uso descuidado de este equipo. El producto solo podra ser operado por una persona mayor de 18 años, en su sano juicio y no bajo alguna influencia de droga o alcohol, y que este ha sido entrenado en el correcto funcionamiento de esta máquina, y ésta usando ropa apropiada y autorizada. Cualquier modificación a la máquina anula la garantía y puede causar daños a las personas usando la máquina mientras esta en el funcionamiento.

REVISE EL PAQUETE A SU LLEGADA

Tras la recepcion de un envio Omcan favor inspeccionar daños externos. Si no hay daños evidentes en el empaque exterior, Habra el carton para asegurarse que todos los articulos solicitados estén dentro de la caja y no encuentre daños ocultos en la máquina. Si el paquete ha sufrido un manejo de poco cuidado, golpes o daños (visible o oculto) por favor anote en la factura antes de aceptar la entrega y contacte Omcan dentro de las 24 horas, de modo que podamos iniciar una reclamación con la compañía. Un informe detallado sobre los daños causados a la máquina debe ser llenado en el plazo de tres días, desde la fecha de entrega que se muestra en los documentos de envío. Omcan no tiene ningun recurso por productos dañados que se enviaron a recoger por terceros.

Antes de utilizar cualquier equipo, siempre lea y familiarizarse con todas las instrucciones de funcionamiento y seguridad.

Omcan le gustaría darle las gracias por la compra de esta máquina. Es de la mayor importancia para salvar estas instrucciones para futuras consultas. Además, guarda la caja original y el embalaje para el envío del equipo si servicio técnico o devolución de la máquina que se requiere.

Safety and Warranty

- Turn the unit off and unplug before performing any cleaning, maintenance or repairs.
- Do not operate the unit with a damaged power cord. If a damaged power cord is found, immediately turn the unit off and unplug it. Do not operate again until trained personnel has fixed the problem.
- Only operate the unit in a flat, level ground. Do not place the unit near any heat sources.
- Only use original spare parts for repairs.

RESIDENTIAL USERS: Vendor assumes no liability for parts or labor coverage for component failure

Safety and Warranty

or other damages resulting from installation in non-commercial or residential applications. The right is reserved to deny shipment for residential usage; if this occurs, you will be notified as soon as possible.

1 YEAR PARTS AND LABOUR WARRANTY

Within the warranty period, contact Omcan Inc. at 1-800-465-0234 to schedule an Omcan authorized service technician to repair the equipment locally.

Unauthorized maintenance will void the warranty. Warranty covers electrical and part failures, not improper use.

Please see <https://omcan.com/disclaimer> for complete info.

WARNING:

The packaging components (cardboard, polyethylene, and others) are classified as normal solid urban waste and can therefore be disposed of without difficulty.

In any case, for suitable recycling, we suggest disposing of the products separately (differentiated waste) according to the current norms.

DO NOT DISCARD ANY PACKAGING MATERIALS IN THE ENVIRONMENT!



Technical Specifications

Model	IC-CN-0040
Max. Production per Day	264 lbs. / 120 kgs.
Max. Ice Storage	88 lbs. / 40 kgs.
Max Ambient Temp Rating	24°C / 75°F
Ice Shape	Cube
Electrical	110-120V / 60Hz / 1
Power	1058 W
Current	9.2A
Refrigerant	R404a, 680g
Weight	143.3 lbs. / 65 kgs.
Packaging Weight	161 lbs. / 73 kgs.
Dimensions	24" x 24.1" x 38.8" / 610 x 613 x 984mm
Packaging Dimensions	26.3" x 26.5" x 39.5" / 667 x 673 x 1003mm
Item Number	27936

Installation

Note: installation should be performed by a trained service technician. For proper operation of the ice machine, the following installation guidelines must be followed. Failure to do so may result in loss of production capability, premature part failure, and may void any warranties.

AMBIENT OPERATING TEMPERATURES

Minimum operating temperature: 50°F (10°C).

Maximum operating temperature: 100°F (38°C).

Note: the unit is not designed for outdoor use.

INCOMING WATER SUPPLY

Minimum incoming water temperature: 40°F (5°C).

Maximum incoming water temperature: 90°F (32°C).

Minimum incoming water pressure: 15 psig.

Maximum incoming water pressure: 80 psig.

Note: if water pressure exceeds 80 psig, a water pressure regulator must be installed.

Installation

DRAINS

Route bin drain, purge drain and water condenser drain must be individually connected to a floor drain. The use of condensation pumps for draining water on equipment should not produce over 200 lbs./day. Omcan assumes no responsibility for improperly installed equipment.

WATER FILTRATION

A water filter system should be installed with the ice machine.

CLEARANCE REQUIREMENTS

The unit must have a minimum of 6 inches (15 cm) of clearance at the rear, top, and sides of the ice machine for proper air circulation. When using models which are located under the counter, circulation occurs from the front. Top and side clearances are minimal.

STACKING

Omcan does not recommend stacking the unit.

DISPENSER APPLICATION

A thermostatic bin control kit must be installed if the ice machine is placed on a dispenser. A bin top may or may not be required.

Operation

There are 3 systems: the cooling system, the water system and the electrical system.

During the ice-making stage, the hot gas valve is closed. The hot refrigerant gas is pumped out of the compressor to the condenser. The hot gas is cooled by a fan after passing through the condenser. The drier and filter will reduce possible dirt and moisture in the refrigerant. The refrigerant expands in the evaporator cooling so water will freeze. The low pressure refrigerant gas returns to the compressor from the evaporator where the cycle continues. During the ice harvest stage, the valve is open. The hot refrigerant gas is pumped out of the compressor to the evaporator through the hot gas valve. Since the hot gas is not cooled by the condenser, the refrigerant warms the evaporator. Ice in contact with the evaporator begins to melt on the back side. The ice gradually slides off of the evaporator and drops to the storage bin. When the water inlet is connected with the main water supply, water will fill the trough through the float valve until the water level in the trough closes the valve. During the ice-making stage, water is pumped from the water trough to the water distribution tube. The distributed water flows over the surface of the cold evaporator where the water is converted to ice. The unfrozen water will return to the trough. At the end of the freeze cycle and during harvest, the water dump valve is opened and the remaining water is pumped down the drain.

CIRCUIT DESCRIPTION

1. First time usage: the ice-maker must be properly installed. Switch the water tap on, let the water trough fill, then turn the power switch to the ON position on the back panel. The ice-maker will start working automatically. In this stage, the time is fixed about 3 minutes. At this status, the white, green, yellow and red LEDs are light together.
2. Ice-making status: the compressor, motor fan and pump are on. The hot gas valve is off. When the green LED is lit, the unit is working in the ice making mode controlled by a temperature probe on the evaporator. When the green LED is flashing, the unit is working in the ice making mode controlled by a fixed timer. The fan motor is also controlled by the condenser sensor. When the ambient temperature is too low, the motor fan stops working.
3. Ice harvest status: the pump is off. The hot gas valve, compressor and motor fan are on. The fan motor is also controlled by the condenser sensor. When the ambient temperature is too low, the motor fan stops working. The yellow LED indicates the ice harvest status.
4. Ice full status and cold preservation stage: if the ice bin is filled with ice, the machine stops making ice and turns to the cold preservation stage automatically. In this stage, the compressor works regularly to keep the low temperatures so ice does not melt. The rest of the electric components are off. The WHITE LED indicates the ice full status and the GREEN AND YELLOW LEDs together indicates the cold preservation status.
5. Cleaning status: turn the machine's CLEAN SWITCH to CLEAN for 3 minutes after the POWER SWITCH is turned on. At this stage, the pump is on. Compressor, motor fan and are off. The GREEN and YELLOW LEDs are flashing together. To stop the cleaning mode, turn the machine "OFF" or the unit will turn off automatically after 30 minutes. NOTE: in order to start the clean status the unit must be on. The CLEAN switch must be turned on within 3 minutes before the COMPRESSOR starts. Do not turn the CLEAN switch on when machine is in ice-making status or ice-harvest status.

CONTROLLER BOX

Instructions for LEDs and buttons:

1. White LED: ice full indicator light. When this LED is lit, the ice storage bin is full of ice or there is something between the ice-full sensor and the evaporator. The unit will stop making ice. When ice cubes are taken out of the ice storage bin making the ice-full probe free, the white LED will flash for 3 minutes. Then the unit will restart and return to the ice making mode.
2. Green LED: ice making indicator light. When this LED is lit, the unit is working in the ice making mode controlled by a temperature probe on the evaporator. When the green LED is flashing, the unit is working in the ice making mode controlled by a fixed timer.
3. Yellow LED: ice harvest indicator light. When this LED is lit, the unit is working in the ice harvest mode controlled by ice-full probe. When green LED and yellow LED is lit, it means the unit is working in the cold preservation stage.
4. Red LED: power indicator light. The unit is on when the red LED is lit.
5. Mode button: mainly for service. When this button is pressed, it can change from ice making mode to ice harvest mode, or from ice harvest mode to ice making mode. You can see the change of the mode from the status of the green and yellow LEDs.

NOTE: if during the ice size adjustment, the "BIN FULL", "ICE" and "HARVEST" LEDS blink all at once, this

Operation

indicates that the unit is in the default factory setting of the ice size adjustment.

CONTROL BOARD CHECKS

Timer initiate

The timer initiate is a temperature sensor mounted on the liquid line to the evaporator. When the sensor detects the correct low temperature, the freeze timer starts and the machine enters the timed portion of the freeze cycle. When the freeze timer starts, the machine is in the timed portion of the freeze cycle. When the machine enters harvest, the temperature rises, but the amount of time the machine is in harvest is predetermined and is controlled by the controller board. Once the time has passed, the machine will enter the harvest cycle. The timer is not adjustable, but the temperature at which the timer is initiated is adjustable.

ICE SIZE ADJUSTMENT

1. Press and hold the “Clean” button and the “Mode” button together for at least 3 seconds. The unit will enter the ice size adjustment mode. The GREEN LED will be blinking continuously during the ice size adjustment.
2. While in the ice size adjustment mode, press the “Clean” button or the “Mode” button for the desired ice size.

Smaller ice setting: by pressing the “Clean” button, you can decrease the size of the ice cubes. The RED LED will flash as you lower the ice size and will finally be blinking at the setting of smallest ice size.

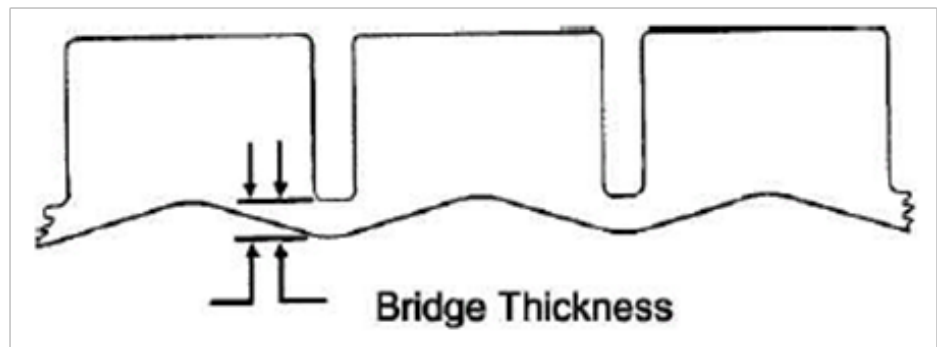
Larger ice setting: by pressing the “Mode” button, you can increase the size of the ice cubes. The YELLOW LED will flash as the larger size is set and will blink when the setting of largest ice size has been reached. After 10 seconds without any operation, the unit will automatically memorize the current setting and return to the previous mode.

BIN CONTROL OPERATION

The bin control is used to shut the machine off when the bin fills with ice. The bin control must be checked upon installation or initial startup and when performing maintenance. There is one bin switch for each evaporator.

The actuator arm of the bin switch comes in contact with the splash curtain. When the bin is full of ice, the splash curtain is held open when ice drops off of the evaporator. This releases the pressure of the bin switch actuator arm allowing the switch to open. Units placed under counters

and machines without curtains: an ice slide at the bottom of the evaporator is used on all under the counter units and some modular units. The slideway swivels up and down and has a magnetic reed switch which



Operation

detects its position. When ice is sitting on the control, the slideway faces down indicating that ice is present (and disconnecting the circuit from the reed switch). When the ice is removed, the slideway swivels up and the connection is completed allowing the machine to begin producing ice again.

BIN CONTROL ADJUSTMENT

All models (except those without curtains): check the bin switch for proper adjustment by swinging the bottom of the curtain away from the evaporator. Slowly bring the curtain towards the evaporator. The switch should close when the bottom edge of the curtain is even with the outer edge of the water trough. Adjust the switch by loosening the screws which hold the switch in place. Move the switch to the proper position and retighten the screws. Recheck the adjustment. Under the counter models or those without curtains: there are no adjustments needed for the bin (magnetic reed) switch.

Maintenance

 WARNING	
	ELECTRICAL SHOCK HAZARD Disconnect electrical power before beginning removal of parts.

Before Maintenance:

1. Ensure the electrical supply is 110-120 VAC, 60Hz, 15A and is properly grounded to protect maintenance personnel.
2. If any electrical parts are loose or if there is a danger of short circuiting, disconnect the power immediately.

MAINTENANCE PROCEDURE

1. Cleaning should be performed at least every 6 months. Local water conditions may require that cleaning be performed more often.
2. Check the ice bridge thickness. The thickness should be between 1/16-1/8".
3. Check the water level in trough. Check for proper water level and adjustment and troubleshoot if there is an incorrect level.
4. Clean the condenser to ensure proper air flow.
5. Check for leaks of any kind: water, refrigerant, oil, etc.
6. Check the bin switch for proper adjustment.
7. Check all electrical connections.
8. Check the oil of the fan motor if applicable.

Maintenance

CLEANING AND SANITIZING

Problems may occur if the following procedures are not performed every 6 months:

1. Remove the front panel.
2. Make sure that there is no ice on the evaporator. If there is, wait until operation is finished and turn the machine "OFF".
3. Remove or melt all ice in the storage bin.
4. Add the recommended amount of approved cleaner to the water trough according to label instructions on the container.
5. Initiate the clean cycle at the controller board switch by turning the machine on and switching to the "CLEAN" setting. Note: this must be done within 3 minutes of turning the machine "ON". Allow the cleaner to circulate for approximately 15 minutes to remove mineral deposits.
6. After 15 minutes (or 30 minutes automatically), stop the process and drain. Refill with clean water and run for another 5 minutes, then drain again. Fill the trough with fresh incoming water.
7. Stop the wash cycle by positioning the switch to the "OFF" position. Remove the splash curtain (if applicable) and inspect the evaporator and water spillway (the plastic top of the evaporator) to assure all mineral residue has been removed.
8. If necessary, wipe the evaporator, spillway and other surfaces with a clean soft cloth to remove any remaining residue. If necessary, remove the water distribution tube, disassemble and clean with a bottlebrush. Reassemble all components and repeat steps 4 through 7 as required to remove residue.
9. Turn the unit OFF and clean the water trough thoroughly to remove all scale or slime buildup. If necessary, remove the water trough to reach all splash areas.
10. Prepare 1½ to 2 gallons (5.7 to 7.5 liters) of approved (EPA/FDA) sodium hypochloride food equipment sanitizer to form a solution with 100 to 200 ppm free chlorine yield.
11. Add enough sanitizing solution to fill the water trough to overflowing and activate the switch to the "CLEAN" position and allow circulation to occur for 10 minutes and inspect all disassembled fittings for leaks. During this time, wipe down all other ice machine splash areas and the interior surfaces of the bin, deflector and door with the remaining sanitizing solution. Inspect to make sure that all functional parts, fasteners, thermostat bulbs (if used), etc. are in place.
12. After 3 minutes, stop the process and drain. Refill with clean water run another 5 minutes and drain again. Fill the trough with fresh incoming water.
13. Place the switch to the "ON" position and replace or close the panel. Discard the first two ice harvests.

REPLACING CONTROL BOX AND TEMPERATURE SENSOR

- Remove the rear cover and the front or side panel.
- Locate the electronic control box in the unit.
- Carefully pull out the temperature sensors (one at the evaporator, another at the condenser).
- Loosen the screws holding the control box and replace. Reverse the previous steps to reassemble.
- If you need to replace a temperature sensor, pull out the sensor, open the panel of the control box, pull out the other end of the sensor and replace. Reverse these steps to reassemble.

REPLACING THE WATER PUMP

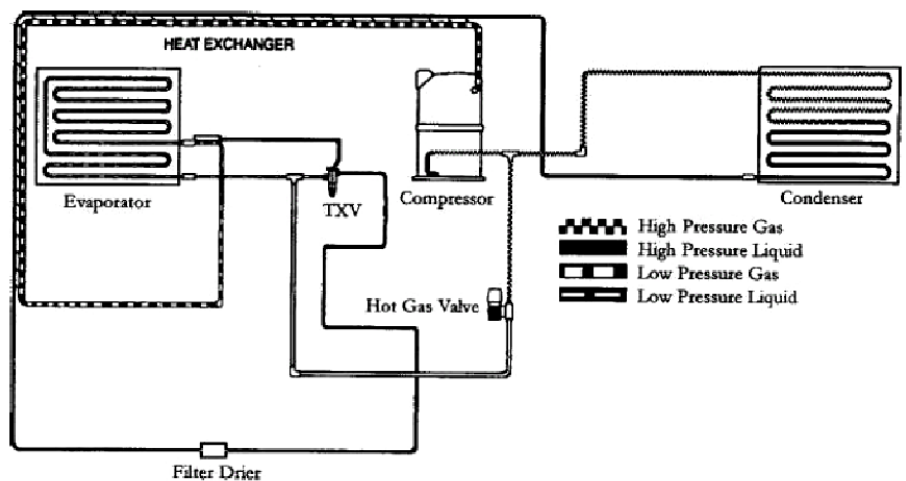
- Turn the unit off and unplug it from the socket.

- Remove the front cover.
- Unplug the lines connected with the water pump, including the water outlet tube.
- Loosen the screws. Replace the pump with a new one.
- Reverse the above steps to reassemble.

REPLACING THE COOLING SYSTEM COMPONENTS

To replace the condensing components, see the cooling system figure.

- Remove the top panel and left panel, locate the compressor, take off the clip and replace the defective components.
- Reverse the above steps to reassemble.



ELECTRICAL SHOCK HAZARD

- Turn the unit off and unplug it from the socket.
- If the compressor needs to be replaced, remove the top cover and locate the compressor.
- Unplug the lines and remove the ground line, open the process/suction, remove the refrigerant, take out the compressor and replace it.
- Reverse the above steps to reassemble.

REPLACING THE FAN MOTOR AND FAN BLADE

- Remove the top and right panels.
- Locate the fan motor, unplug the lines connected with the fan motor, loosen the screws of the holding bracket and fan motor bracket, remove the damaged unit and replace with a new one.
- Reverse the above steps to reassemble.

REPLACING THE HOT GAS VALVE, DRIER AND EVAPORATOR

- Remove the top panel.
- Remove the refrigerant. Locate the drier and hot gas valve, open weld, replace the drier and hot gas valve, and weld. Replace the refrigerant.
- Reverse the above steps to reassemble.
- If needed, replace the evaporator.
- Remove the refrigerant. Remove the front and top panels, locate the evaporator, open the process/suction, open the two welds, replace with a new evaporator. Replace the refrigerant. Reverse the above steps to reassemble.

Troubleshooting

Machine does not run.

Step	Check	If yes, proceed to	If no, proceed to
A1	Is the switched turned to on?	Turn on.	A2.
A2	Is there power to the machine?	Rewire.	A3.
A3	Is the bin full?	A4.	Take ice out.
A4	Is the bin control adjusted?	Adjust.	A5.
A5	Is the high pressure safety switch tripped?	A6.	Reset clean condenser.
A6	Is the selector switch out?		Replace.

Machine runs but does not produce ice.

Step	Check	If yes, proceed to	If no, proceed to
B1	Is water running over the evaporator?	The following troubleshooting chart.	B2.
B2	Is the compressor running?	B5.	B3.
B3	Is there power to the compressor?		Check for bad connection or starting components.
B4	Is the switch defective?	Replace.	
B5	Is there water leaking from the trough?	Repair the leak.	B6.
B6	Is the refrigerant pressure high?	Clean the condenser or check HGV.	B7.
B7	Is the refrigerant pressure low?	Check for leaks.	B8.
B8	Is there a low side restriction?	Repair.	TXV is defective.

Machine produces cloudy or incomplete cubes.

Step	Check	If yes, proceed to	If no, proceed to
C1	Is water running over the evaporator?	C2.	C3.
C2	Is the machine level?	The incoming water quality is poor.	Level the unit.
C3	Is the trough water level correct?	C6.	C4.
C4	Is the supply pressure correct?	C5.	Correct deficiency.
C5	Is there a water leak?	Repair the leak.	Adjust float valve.
C6	Is the water distribution tube plugged correctly?	Clean/replace.	C7.
C7	Is the water pump damaged?	Replace/repair pump.	Clean evaporator spillway.

Troubleshooting

Produces proper cubes but is slow in production.

Step	Check	If yes, proceed to	If no, proceed to
D1	Is the unit installed correctly?	D2.	Correctly install the unit.
D2	Is the head pressure too high?	D3.	Check refrigeration system.
D3	Is the condenser clean?	Check refrigeration system.	Clean.

Cubes are hollow.

Step	Check	If yes, proceed to	If no, proceed to
E1	Is the water temperature above 100°F?	Correct the temperature.	E2.
E2	Is there good flow over the evaporator?	E3.	Go to section C.
E3	Is there water leaking from the purge?	Replace valve.	E4.
E4	Does the cube adjuster work?	Reset cube size.	E5.
E5	Is the evaporator sensor loose?	Tighten.	E6.
E6	Is the evaporator sensor wire tight?	E7.	Tight the spade connection to the board.
E7	Is the controller damaged?	Replace.	

Bridge thickness is uneven.

Step	Check	If yes, proceed to	If no, proceed to
F1	Is the water temperature above 100°F?	Correct the temperature.	F2.
F2	Is the water running into the bin?	Check sections C,D, E or check trough for leak.	F3.
F3	Is water leaking from the purge?	Replace the valve.	F4.
F4	Is the suction pressure high?	Check the hot gas valve.	Recharge and/or check the TXV.

Troubleshooting

Bridge thickness varies with each cycle.

Step	Check	If yes, proceed to	If no, proceed to
G1	Is the water temperature proper?	Correctly adjust temperature.	G2.
G2	Is the purge valve leaking?	Replace valve.	G3.
G3	Is the hot gas valve damaged?	Replace.	G4.
G4	Are sensors connected to the board?	G5.	Tighten spade connections.
G5	Is the controller damaged?	Replace.	G6.
G6	Is the thermal expansion valve damaged?	Replace.	

Machine does not start producing ice cubes.

Step	Check	If yes, proceed to	If no, proceed to
H1	Does the purge valve work?	H6.	H2.
H2	Is the freeze pattern even?	H3.	H2.
H3	Is the purge valve leaking?	Replace.	H3.
H4	Is the compressor failing?	Replace.	H4.
H5	Is the system supplied with too much voltage?	Adjust the voltage.	Replace TXV.
H6	Is the relay defective?	Replace.	H7.
H7	Is the board defective?	Replace.	

Machine harvests but returns to ice-making prematurely.

Step	Check	If yes, proceed to	If no, proceed to
I1	Is the manual purge open?	Replace purge valve.	I2.
I2	Is the high temperature safety switch open?	Replace.	I3.
I3	Is the relay damaged?	Replace.	

Troubleshooting

Length of harvest is excessive.

Step	Check	If yes, proceed to	If no, proceed to
J1	Is the machine installed correctly?	J2.	Correct.
J2	Is ice forming correctly?	J3.	Low charge - recharge.
J3	Is the suction pressure too low?	Replace the hot gas valve.	J4.
J4	Is the evaporator clean?	J5.	Clean accordingly.
J5	Is the ice bridge correct?	J6.	Go to F or G sections.
J6	Is the machine level?	J7.	Level the unit.
J7	Does water run over the evaporator during harvest?	Clean or J11.	J8.
J8	Is the purge valve leaking?	Replace.	J9.
J9	Is the relay damaged?	Replace.	J10.
J10	Is the selector switch damaged?	Replace.	
J11	Is the suction pressure damaged?	Replace evaporator.	J12.
J12	Is the discharge pressure low during freezing?	Ambient temperature is too low.	Replace the hot gas valve.

Evaporator gets hot.

Step	Check	If yes, proceed to	If no, proceed to
K1	Is the unit installed correctly?	K2.	Correctly install the unit.
K2	Is the condenser fan turning?	K3.	Tighten the blade, check the wires or replace the motor.
K3	Are the hot gas valve connections loose?	Tighten all wiring connections.	K4.
K4	Is the machine charged correctly?	K5.	Charge correctly.
K5	Is the controller operating correctly?	Replace the hot gas valve.	Replace the controller board.

The compressor does not start.

Step	Check	If yes, proceed to	If no, proceed to
L1	Is the condenser dirty?	Clean.	L2.
L2	Has the fan stopped or is dirty?	Repair/clean.	L3.
L3	Are the wires tight on the controller?	L4.	Tighten all spade connections.
L4	Are the compressor starting components damaged?	Replace components.	L5.
L5	Is the controller board damaged?	Replace.	L6.
L6	Is the compressor damaged?	Replace.	

Troubleshooting

Compressor runs but no ice is produced.

Step	Check	If yes, proceed to	If no, proceed to
M1	Is the air vent obstructed?	Clear the path.	M2.
M2	Is the condenser dirty?	Clean.	M3.
M3	Is the fan turning?	M4.	Replace fan motor.
M4	Is there a refrigerant leak?	Add the valve, clean the refrigerant, fix and charge (replace filter).	M5.
M5	Is the TXV or cap tube operating normally?	M6.	Add the valve, clean the refrigerant, fix and charge (replace filter).
M6	Does the ice making mode convert to harvest?		Replace the controller board.

Machine makes excessive noise.

Step	Check	If yes, proceed to	If no, proceed to
N1	Are the panels loose?	Tighten all the screws.	N2.
N2	Is the fan hitting the shroud?	Realign.	N3.
N3	Is the fan blade loose?	Tighten.	N4.
N4	Is the pump noisy?	N5.	N6.
N5	Is there an object in the propeller?	Remove the object.	Replace the pump.
N6	Is the noise from the compressor?	Replace the compressor.	

ADVANCED COMPONENT TROUBLESHOOTING TECHNIQUES

Refrigerant Cycle and Components

Before diagnosing the refrigeration system, it is very important that the refrigeration charge is correct. Whenever the refrigeration system has been opened, the filter drier must be replaced and the proper refrigerant charge must be weighed in.

Refrigerant Pressures

The suction pressure at the beginning of the freeze cycle can vary +/-10 psi (.7 bar) depending on operating conditions. Pressures less than this may indicate an undercharge. The discharge pressure on air cooled units will vary with ambient conditions. Refrigerant in a gas state is pumped throughout the refrigeration system by a hermetic compressor to the condenser. Heat is removed from the refrigerant either by forced air movement through an air cooled condenser or transferring heat from the refrigerant to water through a water cooled condenser. The refrigerant changes to a liquid when cooled. The refrigerant in a liquid state passes through a filter drier. The filter drier traps small amounts of moisture and foreign particles from the system. The filter drier must be replaced whenever the refrigeration system is opened or if the refrigerant has been completely lost.

Troubleshooting

Compressor

The compressor runs during the entire cycle. If the valves in the compressor are damaged, the compressor will be unable to pump refrigerant efficiently. Damaged valves may be the result of another problem in the refrigeration system. When a compressor is replaced it is important that the refrigeration charge be weighed in and the system checked for proper operation to prevent a repeat failure. An inefficient compressor will usually have a higher than normal suction pressure at the end of the cycle. The freeze cycle will be longer than normal and/or the harvest cycle may be excessively long. Check the compressor's amps 5 minutes into the freeze cycle. If the amps is less than 70% of rated full amount, the compressor may be inefficient. These symptoms may also be caused by other problems, therefore it is important to use the troubleshooting charts when diagnosing a problem. The air condenser is located in the back of the cabinet. Air is pulled through the condenser by a fan motor and released through the right hand side panel. Under the counter models intake and discharge air through the front panel. Do not block airflow as it will cause premature failure of the machine and will void the warranty.

Compressor and Start Components

The compressor should run during the entire cycle. If the machine is in the ON position but the compressor is not running, check the compressor contactor to see if it is connected properly. If the contactor is not connected, the problem is not with the compressor or the compressor start components. If the contactor is engaged and there is correct voltage through the contactor, there could be a problem with one of the starting components or the compressor. It is recommended that the compressor starting components be replaced when replacing the compressor.

DISCONNECT POWER BEFORE SERVICING!

If the compressor uses an internal overload, be certain that the compressor has cooled and the overload has reset before diagnosing the compressor. If the compressor is cool and is still not running, check the compressor motor windings by first removing the wires at the compressor terminals. With an ohmmeter, check for continuity between all three terminals, if an open circuit exists between any of the terminals, the compressor may need to be replaced. Check for continuity from each terminal to the compressor body, if continuity is found from any terminal to the compressor body, the compressor windings are shorted to ground and the compressor will need to be replaced. If the compressor appears to be good at this point, it is advisable to use a compressor analyzer to isolate the compressor from the start components while checking for a locked rotor. If it is not available, the compressor starting components must be checked. If all starting components are working, check the amp rating from the terminal of the compressor, making sure proper voltage is supplied to the compressor and all wiring is properly connected. If the compressor does not start and there is excessive amp rating, (see locked rotor amps on compressor tag) the compressor has a locked rotor and should be replaced.

Overload (External)

If there is no amperage draw check the compressor overload. The compressor overload can be checked for continuity after removing it from the compressor and letting it cool to room temperature. If there is no continuity between the two terminals, replace the overload. If the overload is suspected of opening prematurely, it should be replaced with an overload.

Troubleshooting

Capacitors

The start capacitor is an electrical storage device used to provide starting torque to the compressor. If a start capacitor is defective, the compressor will not start properly. The run capacitor is an electrical storage device used to improve the productivity and efficiency of the compressor. Before checking a capacitor, it should be discharged by shorting across the terminals. If a run or start capacitor is cracked, leaking or bulging it should be replaced. If a capacitor is suspected of being defective, it can easily be checked by replacing it with a capacitor of the correct size, which is known to be working. If the compressor starts and runs properly, replace the original capacitor. A capacitor tester can also be used.

Start Relay

The start relay breaks the electrical circuit to the start windings when the compressor motor speed increases. If the relay is defective, the compressor will not start or it may start but will run for a very short time.

A compressor relay can be checked by removing the relay and checking the relay contacts for damage and check for continuity across the closed relay points. Check the relay coil with an ohmmeter. If no continuity is read, replace the relay.

Thermostatic Expansion Valve (TXV)

The thermostatic expansion valve measures the flow of refrigerant into the evaporator changing its state from a high pressure liquid to a low pressure liquid. This drop in pressure causes the refrigerant to cool. The cooled refrigerant absorbs heat from the water circulating over the evaporator. As the evaporator fills with liquid refrigerant, the evaporator becomes colder. The flow of refrigerant into the evaporator is controlled by the temperature at the outlet of the evaporator. The expansion valve bulb, mounted to the top of the suction line, senses the evaporator outlet temperature causing the expansion valve to open or close. As ice forms on the evaporator, the temperature drops and the flow of refrigerant into the evaporator decreases, resulting in a drop in suction pressure. The evaporator should become completely flooded (filled with liquid refrigerant) during the freeze cycle. A completely flooded evaporator will have a uniform freeze pattern (ice formation across the evaporator). A starved evaporator (not enough liquid refrigerant) will have poor or no ice formation at the top of the evaporator, and the tube(s) exiting the evaporator will not frost. All tubes should be frosted approximately 5 minutes from the start of the freeze cycle. An expansion valve that is restricted or not opening properly will starve the evaporator resulting in lower than normal suction pressure. A low refrigerant charge will also starve the evaporator and cause low suction and discharge pressures. If not sure of the amount of charge in the system, the refrigerant should be recovered and the correct charge be weighed in before a defective valve can be diagnosed. If the evaporator is starved but the suction pressure is higher than normal, the TXV is not the problem, refer to the above charts. If the TXV sticks open or if the thermal bulb is not making good contact with the suction line, the flow of refrigerant into the evaporator will be too great and liquid refrigerant will flood the compressor. The suction pressure will remain higher than normal and the machine will remain in an extended freeze cycle. Ice will build evenly but will be very thick.

Instructions Français

SÉCURITÉ ET GARANTIE

- Eteignez l'appareil et le débrancher avant toute opération de nettoyage, d'entretien ou de réparation.
- Ne pas faire fonctionner l'appareil avec un cordon d'alimentation endommagé. Si un cordon d'alimentation endommagé se trouve, mettez immédiatement l'appareil hors tension et débranchez-le. Ne pas faire fonctionner à nouveau jusqu'à ce personnel qualifié a résolu le problème.
- Ne faire fonctionner l'unité dans un sol plane. Ne pas placer l'appareil près de sources de chaleur.
- Utiliser uniquement des pièces de rechange d'origine pour les réparations.

UTILISATEURS RÉSIDENIELS: Le fournisseur n'assume aucune responsabilité pour la couverture des pièces ou de la main-d'œuvre en cas de défaillance des composants ou d'autres dommages résultant de l'installation dans des applications non commerciales ou résidentielles. Le droit est réservé de refuser l'expédition pour un usage résidentiel; si cela se produit, vous en serez informé dès que possible.

1 AN PIÈCES ET GARANTIE DU TRAVAIL

Dans la période de garantie, contacter Omcan Inc. au 1-800-465-0234 pour planifier une Omcan technicien autorisé à réparer l'équipement localement.

Entretien non autorisée annulera la garantie. La garantie couvre les pannes électriques et une partie pas une mauvaise utilisation.

S'il vous plaît voir <https://omcan.com/disclaimer> pour info complète.

AVERTISSEMENT:

Les matériaux d'emballage (carton, de polyéthylène et autres) sont classés comme déchets solides urbains normale et peuvent donc être éliminés sans difficulté.

En tout cas, pour le recyclage approprié, nous suggérons tranchent des produits séparément (différenciée des déchets) selon les normes actuelles.

NE PAS JETER LES EMBALLAGES DANS L'ENVIRONNEMENT!

Instructions Français

SPÉCIFICATIONS TECHNIQUES

Modèle	IC-CN-0040
Production maximale par jour	264 lbs. / 120 kgs.
Stockage maximum de glace	88 lbs. / 40 kgs.
Cote de température ambiante maximale	24°C / 75°F
Forme de glace	Cube
Électrique	110-120V / 60Hz / 1
Puissance	1058 W
Courant	9.2A
Réfrigérant	R404a, 680g
Poids	143.3 lbs. / 65 kgs.
Poids de l'emballage	161 lbs. / 73 kgs.
Dimensions	24" x 24.1" x 38.8" / 610 x 613 x 984mm
Dimensions de l'emballage	26.3" x 26.5" x 39.5" / 667 x 673 x 1003mm
Numéro d'article	27936

INSTALLATION

Remarque: L'installation doit être effectuée par un technicien qualifié. Pour un bon fonctionnement de la machine à glace, les directives d'installation suivantes doivent être suivies. Ne pas le faire peut entraîner une perte de la capacité de production, une défaillance prématurée de la pièce, et peut annuler toutes les garanties.

LES TEMPÉRATURES AMBIANTES

Minimum Température de fonctionnement: 50°F (10°C).

Température de fonctionnement: 100°F (38°C).

Remarque: L'appareil ne est pas conçu pour une utilisation extérieure.

ENTRANT ALIMENTATION EN EAU

Température minimale d'arrivée d'eau: 40°F (5°C).

Température maximale de l'eau entrant: 90°F (32°C).

Pression de l'eau entrant minimum: 15 psi.

Pression de l'eau entrante maximale: 80 psi.

Remarque: Si la pression de l'eau dépasse 80 psig, un régulateur de pression d'eau doit être installé.

Instructions Français

DRAINS

Route bin vidange, vidange de purge et le drain de condensation de l'eau doivent être connectés individuellement à un drain de plancher. L'utilisation de pompes de condensation pour drainer l'eau de l'équipement ne doit pas produire plus de £ 200. / Jour. Omcan ne assume aucune responsabilité pour les équipements mal installé.

FILTRATION

Système de filtre à eau doit être installé avec la machine à glace.

EXIGENCES DE LIQUIDATION

L'unité doit avoir un minimum de 6 pouces (15 cm) d'espace libre à l'arrière, en haut et sur les côtés de la machine à glace pour la circulation de l'air. Lors de l'utilisation de modèles qui sont situés sous le comptoir, la circulation se produit à partir de l'avant. Latérales et supérieures dégagements sont minimales.

EMPILAGE

Si les machines à glace doivent être empilés, reportez-vous aux instructions décrites plus loin dans ce manuel. Omcan déconseille d'empiler l'unité.

DISTRIBUTEUR APPLICATION

Un kit de commande bin thermostatique doit être installé si la machine à glace est placé sur un distributeur. Un top bin peut ou peut ne pas être nécessaire.

OPÉRATION

Il ya trois systèmes: le système de refroidissement, le système d'eau et le système électrique.

Au cours de l'étape de fabrication de glace, la soupape de gaz chaud est fermée. Le gaz réfrigérant chaud est pompé hors du compresseur vers le condenseur. Le gaz chaud est refroidi par un ventilateur après passage dans le condenseur. Le sécheur et le filtre réduiront possible saleté et l'humidité dans le réfrigérant. Le réfrigérant se dilate dans l'évaporateur de refroidissement afin que l'eau gèle. Le gaz réfrigérant à basse pression retourne au compresseur depuis l'évaporateur où le cycle continue. Pendant la phase de récolte de la glace, la vanne est ouverte. Le gaz réfrigérant chaud est pompé hors du compresseur vers l'évaporateur à travers la soupape de gaz chaud. Etant donné que le gaz chaud i pas refroidi par le condenseur, le réfrigérant se réchauffe l'évaporateur. Glace en contact avec l'évaporateur commence à fondre sur la face arrière. La glace progressivement diapositives de glace au large de l'évaporateur et les gouttes vers le bac de stockage. Lorsque l'arrivée d'eau est relié à l'alimentation principale en eau, l'eau se remplir la cuve à travers la vanne à flotteur jusqu'à ce que le niveau d'eau dans la cuve se ferme la soupape. Au cours de l'étape de fabrication de glace, l'eau est pompée à partir du bac à eau sur le tube de distribution d'eau. L'eau distribuée se écoule sur la surface de l'évaporateur froid où l'eau est convertie en glace. L'eau non gelée sera de retour à l'auge. A la

Instructions Français

fin du cycle de congélation et pendant la récolte, la valve d'évacuation d'eau est ouverte et l'eau restante est pompée dans le drain.

DESCRIPTION DU CIRCUIT

1. Première utilisation du temps: La machine à glaçons doit être correctement installé. Mettez le robinet d'eau, laisser le remplissage de cuve d'eau, puis tourner l'interrupteur d'alimentation en position ON sur le panneau arrière. La machine à glaçons va commencer à travailler automatiquement. Dans cette étape, le temps est fixé à environ 3 minutes. A cet état, le blanc, vert, jaune et les voyants rouges sont la lumière ensemble.
2. Fabrication de glace État: Le compresseur, ventilateur de moteur et la pompe sont allumés. La vanne de gaz chaud est éteint. Lorsque le voyant vert est allumé, l'appareil fonctionne dans le mode de fabrication de glace contrôlé par une sonde de température sur l'évaporateur. Lorsque le voyant vert clignote, l'appareil fonctionne dans le mode de fabrication de glace contrôlé par une minuterie fixe. Le moteur du ventilateur est également contrôlé par le capteur de condenseur. Lorsque la température ambiante est trop basse, le ventilateur du moteur se arrête de fonctionner.
3. Ice récolte Statut: La pompe est éteint. La vanne de gaz chaud, compresseur et du ventilateur du moteur sont allumés. Le moteur du ventilateur est également contrôlé par le capteur de condenseur. Lorsque la température ambiante est trop basse, le ventilateur du moteur se arrête de fonctionner. La LED jaune indique l'état de la récolte de la glace.
4. Ice statut complet et froide préservation étape: Si le bac à glaçons est rempli de glace, la machine se arrête faire de la glace et se tourne vers l'étape de la conservation par le froid automatiquement. Dans cette étape, le compresseur fonctionne régulièrement pour garder les basses températures afin glace ne fond pas. Le reste des composants électriques sont coupés. La Led blanche indique l'état complet de la glace et de la LED verte et jaune indique ainsi que l'état de conservation par le froid.
5. Nettoyage Statut: Tourner le commutateur CLEAN de la machine pour nettoyer pendant 3 minutes après l'interrupteur d'alimentation est allumé. A ce stade, la pompe est en marche. Compresseur, ventilateur de moteur et sont éteints. La LED verte et jaune clignent ensemble. Pour arrêter le mode de nettoyage, tourner la machine «OFF» ou l'appareil se éteint automatiquement après 30 minutes. NOTE: Afin de commencer le statut Nettoyez l'appareil doit être allumé. Le commutateur CLEAN doit être activée dans les 3 minutes avant le démarrage du compresseur. Ne tournez pas le commutateur sur CLEAN lorsque la machine est en état ou de la glace récolte état de fabrication de glace.

CONTRÔLEUR BOX

Instructions pour LED et boutons:

1. LED blanche: Ice pleine lumière de l'indicateur. Lorsque ce voyant est allumé, le bac de stockage de glace est plein de glace ou il ya quelque chose entre le capteur de glace complète et l'évaporateur. L'appareil se arrête faire de la glace. Lorsque les glaçons sont retirés du bac de stockage de glace faisant la sonde de glace en totale franchise, la LED blanche clignote pendant 3 minutes. Puis l'appareil va redémarrer et revenir au mode de fabrication de glace.
2. LED verte: fabrication de glace voyant. Lorsque ce voyant est allumé, l'appareil fonctionne dans le mode de fabrication de glace contrôlé par une sonde de température sur l'évaporateur. Lorsque le voyant vert clignote, l'appareil fonctionne dans le mode de fabrication de glace contrôlé par une minuterie fixe.
3. LED jaune: récolte de glace voyant. Lorsque ce voyant est allumé, l'appareil fonctionne en mode de récolte

Instructions Français

de glaçons contrôlée par la sonde de glace complet. Lorsque la LED verte et LED jaune est allumée, cela signifie que l'appareil fonctionne à l'étape de conservation par le froid.

4. LED rouge: alimentation voyant. L'appareil est allumé lorsque le voyant rouge se est allumée.
5. Bouton Mode: Principalement pour le service. Lorsque ce bouton est pressé, il peut passer du mode de fabrication de glace en mode de récolte de la glace ou du mode de récolte de glaçons en mode de fabrication de glace. Vous pouvez voir le changement de mode de l'état des DEL verte et jaune.

REMARQUE: Si pendant le réglage de la taille de la glace, le «BIN FULL», «ICE» et «LEDS de moisson» clignotent tout à la fois, ce qui indique que l'appareil est dans le réglage d'usine par défaut de l'ajustement de la taille de la glace.

CONTRÔLE CONSEIL VÉRIFIÉ

Initié minuterie

La minuterie est initié un capteur de température monté sur la conduite de liquide de l'évaporateur. Lorsque le capteur détecte la faible température correcte, le gel chronomètre démarre et la machine entre dans la partie chronométrée du cycle de congélation. Lorsque la minuterie de congélation démarre, la machine se trouve dans la partie synchronisée du cycle de congélation. Lorsque la machine entre dans la récolte, la température se élève, mais la quantité de temps la machine est en récolte est prédéterminé et est contrôlée par la carte contrôleur. Une fois que le temps a passé, la machine va entrer dans le cycle de récolte. La minuterie ne est pas réglable, mais la température à laquelle le temporisateur est lancé est réglable.

RÉGLAGE DE LA TAILLE DE L'ICE

1. Appuyez et maintenez ainsi le bouton «Clean» et le bouton «Mode» pendant au moins 3 secondes. L'unité entrera en mode Ice Réglage de la taille. La LED verte clignote en permanence pendant le réglage de la taille de la glace.
2. Alors que dans le mode de réglage Ice Taille, appuyez sur le bouton «Clean» ou sur le bouton «Mode» pour la taille de glace désiré.

Réglage de la glace plus petit: En appuyant sur le bouton «Clean», vous pouvez diminuer la taille des cubes de glace. La LED rouge clignote lorsque vous abaissez la taille de la glace et sera finalement à clignoter au réglage de la plus petite taille de la glace.

Réglage de la glace plus grande: En appuyant sur le bouton «Mode», vous pouvez augmenter la taille des cubes de glace. La LED jaune clignote pendant la plus grande taille est définie et clignote lorsque le réglage de la plus grande taille de la glace a été atteint. Après 10 secondes sans aucune opération, l'appareil se met automatiquement mémoriser le réglage actuel et revenir au mode précédent.

BIN FONCTIONNEMENT DE COMMANDE

Le contrôle bin est utilisé pour arrêter la machine lorsque le bac se remplit avec de la glace. Le contrôle de la poubelle doit être vérifié lors de l'installation ou le démarrage initial et lors de l'entretien. Il ya un interrupteur de bac pour chaque évaporateur. Le bras de l'actionneur de l'interrupteur de bac entre en contact avec le

Instructions Français

rideau de démarrage. Lorsque le bac est plein de glace, le rideau de démarrage est maintenue ouverte lorsque la glace tombe de l'évaporateur. Ceci libère la pression du bras d'actionnement de l'interrupteur de bac permettant d'ouvrir l'interrupteur. Unités placées sous les comptoirs et les machines sans rideaux: Une glissade de glace au fond de l'évaporateur est utilisé sur tous sous le comptoir unités et certaines unités modulaires. La glissière pivote de haut en bas et dispose d'un interrupteur magnétique qui détecte sa position. Lorsque la glace est assis sur le contrôle, la glissière orientée vers le bas ce qui indique que la glace est présente (et déconnecter le circuit de l'interrupteur Reed). Lorsque la glace est retiré, la glissière pivote et la connexion est terminée permettant à la machine de commencer à produire à nouveau la glace.

AJUSTEMENT BIN CONTRÔLE

Tous les modèles (sauf ceux sans rideaux): Vérifier que l'interrupteur de bac pour un réglage correct en balançant le bas du rideau loin de l'évaporateur. Porter lentement le rideau vers l'évaporateur. Le commutateur doit fermer quand le bord inférieur du rideau est aligné sur le bord externe du bac à eau. Réglez le commutateur en desserrant les vis qui maintiennent le commutateur en place. Déplacer l'interrupteur sur la position correcte et resserrer les vis. Vérifiez à nouveau le réglage. Selon les modèles de compteur ou ceux sans rideaux: Il n'y a pas les ajustements nécessaires pour le bac de commutateur (Reed magnétiques).

ENTRETIEN

 WARNING	
	RISQUE DE CHOC ÉLECTRIQUE Coupez l'alimentation électrique avant de commencer le retrait des pièces.

Avant Entretien:

1. Soyez sûr l'alimentation électrique est de 110-120 VAC, 60Hz, 15A et est correctement mise à la terre pour protéger le personnel de maintenance.
2. Si des pièces électriques sont lâches ou se il ya un risque de court-circuit, débranchez immédiatement le pouvoir.

PROCÉDURE DE MAINTENANCE

1. Le nettoyage doit être effectué au moins tous les six mois. Conditions d'eau locales peuvent exiger que le nettoyage être effectué plus souvent.
2. Vérifiez l'épaisseur de pont de glace. L'épaisseur doit être comprise entre 1 / 16-1 / 8».
3. Vérifiez le niveau d'eau dans auge. Vérifier le niveau adéquat de l'eau et de l'ajustement et dépanner se il ya un niveau incorrect.
4. Nettoyer le condenseur pour assurer l'écoulement de l'air.
5. Vérifier les fuites de toute nature: l'eau, réfrigérant, huile, etc.
6. Vérifiez l'interrupteur bin pour un réglage correct.

Instructions Français

7. Vérifiez toutes les connexions électriques.
8. Vérifier l'huile du moteur du ventilateur le cas échéant.

NETTOYAGE ET ASSAINISSEMENT

Des problèmes peuvent se produire si les procédures suivantes ne sont pas effectuées tous les 6 mois:

1. Retirez le panneau avant.
2. Assurez-vous qu'il n'y a pas de glace sur l'évaporateur. Se il est, attendre opération est terminée et tourner la machine «OFF».
3. Retirer ou faire fondre toute la glace dans le bac de stockage.
4. Ajouter la quantité recommandée de détergent autorisé à l'aube de l'eau conformément aux instructions sur l'étiquette sur le contenant.
5. Initier le cycle de nettoyage au niveau du commutateur de la carte contrôleur en tournant la machine et de passer à la mise en «CLEAN». Note: Ceci doit être fait dans les trois minutes de tourner la machine «ON». Laisser agir le nettoyant circuler pendant environ 15 minutes pour enlever les dépôts de minéraux.
6. Après 15 minutes (ou 30 minutes automatiquement), arrêter le processus et les égoutter. Remplir avec de l'eau propre et de fonctionner pendant encore cinq minutes, puis égouttez à nouveau. Remplissez la cuve avec de l'eau frais entrant.
7. Arrêtez le cycle de lavage en positionnant le sélecteur sur la position «OFF». Retirer le rideau de démarrage (le cas échéant) et inspecter l'évaporateur et du déversoir de l'eau (de haut en plastique de l'évaporateur) pour assurer tous les résidus de minéraux a été supprimé.
8. Si nécessaire, essuyez l'évaporateur, l'évacuateur de crues et d'autres surfaces avec un chiffon doux et propre pour enlever tout résidu restant. Si nécessaire, retirer le tube de distribution d'eau, démonter et nettoyer avec un goupillon. Remonter tous les composants et répétez les étapes 4 à 7 selon les besoins pour enlever les résidus.
9. Eteignez l'appareil et nettoyer le bac à eau pour éliminer toutes les dimensions ou la boue accumulation. Si nécessaire, retirez le bac à eau pour atteindre toutes les zones de boue.
10. Préparer 1½ à 2 gallons (5.7 à 7.5 litres) de l'équipement alimentaire approuvé d'hypochlorite (EPA / FDA) désinfectant sodium pour former une solution avec un rendement en chlore libre de 100 à 200 ppm.
11. Ajouter solution désinfectante assez pour remplir l'abreuvoir à craquer et activer l'interrupteur à la position «propre» et permettre la circulation de se produire pendant 10 minutes et inspecter tous les raccords démontés pour les fuites. Pendant ce temps, essuyez tous les autres domaines de démarrage de la machine de glace et les surfaces intérieures du bac, déflecteur et porte avec la solution désinfectante restant. Inspectez pour se assurer que toutes les pièces, attaches, bulbes des thermostats fonctionnels (si utilisé), etc., sont en place.
12. Après trois minutes, arrêter le processus et les égoutter. Remplir avec de l'eau propre de fonctionner encore 5 minutes et égoutter de nouveau. Remplissez la cuve avec de l'eau frais entrant.
13. Placez l'interrupteur sur la position «ON» et remplacer ou fermer le panneau. Jeter les deux premières récoltes de glace.

REPLACEMENT BOÎTE DE CONTRÔLE ET CAPTEUR DE TEMPERATURE

- Retirez le couvercle arrière et le panneau avant ou sur le côté.
- Repérez le boîtier de contrôle électronique de l'appareil.
- Retirez délicatement les capteurs de température (une à l'évaporateur, un autre au niveau du condenseur).

Instructions Français

- Desserrez les vis de fixation de la boîte de contrôle et à remplacer. Inversez les étapes précédentes pour remonter.
- Si vous devez remplacer un capteur de température, retirez le capteur, ouvrez le panneau de la boîte de contrôle, tirez l'autre extrémité de la sonde et remplacez. Inversez ces étapes pour remonter.

REPLACEMENT DE LA POMPE A EAU

- Eteignez l'appareil et débranchez-le de la prise.
- Retirez le capot avant.
- Débrancher les lignes raccordées à la pompe à eau, y compris le tube de sortie d'eau.
- Desserrez les vis. Remplacez la pompe par une nouvelle.
- Inversez les étapes ci-dessus pour remonter.

REPLACEMENT DES COMPOSANTS DU SYSTÈME DE REFROIDISSEMENT

- Retirez le panneau supérieur et panneau de gauche, recherchez le compresseur, enlever le clip et remplacer les composants défectueux.
- Inversez les étapes ci-dessus pour remonter.

RISQUE DE CHOC ÉLECTRIQUE

- Eteignez l'appareil et débranchez-le former la prise.
- Si le compresseur doit être remplacé, retirez le couvercle supérieur et de localiser le compresseur.
- Débranchez les lignes et supprimer la ligne du sol, ouvrir le processus / aspiration, retirer le réfrigérant, prendre le compresseur et le remplacer.
- Inversez les étapes ci-dessus pour remonter.

REPLACEMENT DU MOTEUR VENTILATEUR ET BLADE

- Retirez les panneaux supérieur et droite.
- Localisez le moteur du ventilateur, débranchez les lignes connectées avec le moteur du ventilateur, desserrez les vis du support de support de fixation et le moteur du ventilateur, retirez l'unité endommagée et la remplacer par une nouvelle.
- Inversez les étapes ci-dessus pour remonter.

REPLACEMENT DE LA VANNE DE GAZ CHAUD, PLUS SEC ET EVAPORATOR

- Retirez le panneau supérieur.
- Retirez le réfrigérant. Localisez le plus sec et la vanne de gaz chaud, soudure ouverte, remplacer la vanne sèche et chaude gaz et soudure. Remplacer le réfrigérant.
- Inversez les étapes ci-dessus pour remonter.
- Si nécessaire, remplacer l'évaporateur.
- Retirez le réfrigérant. Retirez le haut des panneaux avant et, de localiser l'évaporateur, ouvrir le processus / aspiration, ouvrir les deux soudures, le remplacer par un nouvel évaporateur. Remplacer le réfrigérant.

Instructions Français

- Inversez les étapes ci-dessus pour remonter.

DÉPANNAGE

La machine ne fonctionne pas.

Étape	Chèque	Si oui, passez à	Si non, passez à
A1	Est l'interrupteur et se sont tournés vers le?	Allumer.	A2.
A2	Y at-il le pouvoir de la machine?	Refaire l'installation électrique.	A3.
A3	Est le bac plein?	A4.	Prenez glace sur.
A4	Est le contrôle bin ajusté?	Ajuster.	A5.
A5	Est l'interrupteur de sécurité à haute pression déclenché?	A6.	Réinitialiser condenseur propre.
A6	Est le commutateur de sélection sur?		Remplacer.

Pistes de machine, mais ne produit pas de glace.

Étape	Chèque	Si oui, passez à	Si non, passez à
B1	L'eau courante sur l'évaporateur?	Le tableau de dépannage suivant.	B2.
B2	Est le compresseur fonctionne?	B5.	B3.
B3	Y at-il le pouvoir de le compresseur?		Vérifiez mauvaise connexion ou composants de départ.
B4	Le commutateur défectueux?	Remplacer.	
B5	Y at-il des fuites d'eau de la cuve?	Réparer la fuite.	B6.
B6	Est la pression du réfrigérant haute?	Nettoyer le condenseur ou consulter les poids lourds.	B7.
B7	Est la pression de réfrigérant bas?	Vérifier les fuites.	B8.
B8	Y at-il une restriction du côté bas?	Réparation.	TXV est défectueux.

Instructions Français

Machine produit cubes nuageux ou incomplètes.

Étape	Chèque	Si oui, passez à	Si non, passez à
C1	L'eau courante sur l'évaporateur?	C2.	C3.
C2	Le niveau de la machine?	La qualité de l'eau entrant est pauvre.	Niveler l'unité.
C3	Le niveau de l'eau de pénétration correcte?	C6.	C4.
C4	Est la pression d'alimentation correcte?	C5.	Corriger la carence.
C5	Y at-il une fuite d'eau?	Réparer la fuite.	Ajuster robinet à flotteur.
C6	Est le tube de distribution d'eau branché correctement?	Nettoyer / remplacer.	C7.
C7	Est la pompe à eau endommagée?	Remplacer / réparer la pompe.	Nettoyer l'évaporateur déversoir.

Produit cubes appropriés mais est lente dans la production.

Étape	Chèque	Si oui, passez à	Si non, passez à
D1	L'appareil est installé correctement?	D2.	Installez correctement l'unité.
D2	Est la pression de la tête trop élevé?	D3.	Vérifiez le système de réfrigération.
D3	Le condenseur est propre?	Vérifiez le système de réfrigération.	Propre.

Cubes sont creux.

Étape	Chèque	Si oui, passez à	Si non, passez à
E1	Est la température de l'eau supérieure à 100°F?	Corrigez la température.	E2.
E2	Y at-il une bonne circulation sur l'évaporateur?	E3.	Passez à la section C.
E3	Y at-il des fuites d'eau de la purge?	Remplacer la vanne.	E4.
E4	Fonctionne le réglage du cube?	La taille des glaçons réinitialiser.	E5.
E5	Le capteur de l'évaporateur lâche?	Serrer.	E6.
E6	Est le fil tendu de la sonde évaporateur?	E7.	Serrer la connexion de bêche pour le conseil.
E7	Est le contrôleur endommagé?	Remplacer.	

Instructions Français

Épaisseur de pont est inégale.

Étape	Chèque	Si oui, passez à	Si non, passez à
F1	Est la température de l'eau supérieure à 100°F?	Corrigez la température.	F2.
F2	L'eau est en cours d'exécution dans le bac?	Consultez les sections C, D, E ou vérifiez goulotte de fuite.	F3.
F3	L'eau se échappe de la purge?	Remplacer la soupape.	F4.
F4	Est la pression d'aspiration élevée?	Vérifiez la vanne de gaz chaud.	Rechargez et / ou vérifiez la TXV.

Épaisseur de pont varie avec chaque cycle.

Étape	Chèque	Si oui, passez à	Si non, passez à
G1	Est la température de l'eau?	Réglez correctement la température.	G2.
G2	Est la vanne de purge fuit?	Remplacer la vanne.	G3.
G3	Est la vanne de gaz chaud endommagé?	Remplacer.	G4.
G4	Sont des capteurs connectés à la carte?	G5.	Serrer les connexions à fourche.
G5	Est le contrôleur endommagé?	Remplacer.	G6.
G6	Est-ce que la soupape de dilatation thermique endommagé?	Remplacer.	

La machine ne démarre pas produire des cubes de glace.

Étape	Chèque	Si oui, passez à	Si non, passez à
H1	Ne fonctionne la vanne de purge?	H6.	H2.
H2	Est le modèle de gel même?	H3.	H2.
H3	Est la vanne de purge fuit?	Remplacer.	H3.
H4	Le compresseur est défaillant?	Remplacer.	H4.
H5	Le système est fourni avec trop de tension?	Régler la tension.	Remplacer TXV.
H6	Est le relais défectueux?	Remplacer.	H7.
H7	Est la carte défectueuse?	Remplacer.	

Instructions Français

Récoltes de machine, mais revient à fabrication de la glace prématurément.

Étape	Chèque	Si oui, passez à	Si non, passez à
I1	Est la purge manuelle ouverte?	Remplacer la vanne de purge.	I2.
I2	Est l'interrupteur de sécurité à haute température ouverte?	Remplacer.	I3.
I3	Est le relais endommagé?	Remplacer.	

Longueur de la récolte est excessive.

Étape	Chèque	Si oui, passez à	Si non, passez à
J1	La machine est correctement installé?	J2.	Correct.
J2	Est la formation de glace correctement?	J3.	Charge faible - recharge.
J3	Est la pression d'aspiration trop faible?	Remplacer la vanne de gaz chaud.	J4.
J4	L'évaporateur est propre?	J5.	Clean conséquence.
J5	Est le pont de glace correcte?	J6.	Aller au sections F ou G.
J6	Le niveau de la machine?	J7.	Niveler l'unité.
J7	Est-eau couler sur l'évaporateur pendant la récolte?	Nettoyer ou J11.	J8.
J8	Est la vanne de purge fuit?	Remplacer.	J9.
J9	Est le relais endommagé?	Remplacer.	J10.
J10	Est le sélecteur endommagé?	Remplacer.	
J11	Est la pression d'aspiration endommagé?	Remplacer évaporateur.	J12.
J12	Est la pression de refoulement faible pendant la congélation?	La température ambiante est trop faible.	Remplacer la vanne de gaz chaud.

Instructions Français

Évaporateur devient chaud.

Étape	Chèque	Si oui, passez à	Si non, passez à
K1	L'appareil est installé correctement?	K2.	Installez correctement l'unité.
K2	Est le ventilateur du condenseur tourne?	K3.	Serrer la lame, vérifier les fils ou remplacer le moteur.
K3	Les connexions à chaud de la vanne de gaz sont-ils lâches?	Serrer toutes les connexions de câblage.	K4.
K4	La machine est chargée correctement?	K5.	Chargez correctement.
K5	Est le contrôleur fonctionne correctement?	Remplacer la vanne de gaz chaud.	Remplacer la carte contrôleur.

Le compresseur ne démarre pas.

Étape	Chèque	Si oui, passez à	Si non, passez à
L1	Le condenseur est sale?	Propre.	L2.
L2	Possède un ventilateur arrêté ou est sale?	Réparation / clean.	L3.
L3	Les fils sont serrés sur le contrôleur?	L4.	Serrer tous les raccords bêche.
L4	Sont le compresseur commence composants endommagé?	Remplacer les composants.	L5.
L5	Est la carte contrôleur endommagé?	Remplacer.	L6.
L6	Le compresseur est endommagé?	Remplacer.	

Le compresseur fonctionne mais pas de glace est produite.

Étape	Chèque	Si oui, passez à	Si non, passez à
M1	Le conduit d'air obstrué?	Dégagez le chemin.	M2.
M2	Le condenseur est sale?	Propre.	M3.
M3	Le ventilateur tourne?	M4.	Remplacer le moteur du ventilateur.
M4	Y at-il une fuite de fluide frigorigène?	Ajouter la vanne, nettoyer le réfrigérant, fixer et charge (remplacer le filtre).	M5.
M5	Est le tube de TXV ou casquette fonctionne normalement?	M6.	Ajouter la vanne, nettoyer le réfrigérant, fixer et charge (remplacer le filtre).
M6	Est-ce que le mode de fabrication de glace se convertir à récolter?		Remplacer la carte contrôleur.

Instructions Français

Machine fait un bruit excessif.

Étape	Chèque	Si oui, passez à	Si non, passez à
N1	Les panneaux sont lâches?	Serrer toutes les vis.	N2.
N2	Le ventilateur de frapper le capot?	Réaligner.	N3.
N3	Est la pale de ventilateur perdre?	Serrer.	N4.
N4	La pompe est bruyante?	N5.	N6.
N5	Y at-il un objet dans l'hélice?	Retirez l'objet.	Remplacer la pompe.
N6	Est le bruit du compresseur?	Remplacer le compresseur.	

ADVANCED COMPOSANTS TECHNIQUES DE DÉPANNAGE

Refrigerant Cycle et Composants

Avant de diagnostiquer le système de réfrigération, il est très important que la charge de réfrigération est correcte. Chaque fois que le système de réfrigération a été ouvert, le filtre déshydrateur doit être remplacée et la charge de réfrigérant approprié doit être pesé dans.

Pressions de réfrigérant

La pression d'aspiration au début du cycle de congélation peut varier de + / 10 psi (0,7 bar de) en fonction de conditions de fonctionnement. Des pressions inférieures à ce qui peut indiquer une charge insuffisante. La pression de décharge sur l'air refroidi unités varient en fonction des conditions ambiantes. Le réfrigérant à l'état gazeux est pompé à travers le système de réfrigération par un compresseur hermétique au condenseur. La chaleur est retirée du réfrigérant, soit par la circulation d'air forcé à travers un condenseur refroidi par air ou transférer la chaleur du réfrigérant à l'eau à travers un condenseur refroidi à l'eau. Les modifications apportées à un réfrigérant liquide lorsque refroidis. Le fluide frigorigène à l'état liquide passe à travers un filtre déshydrateur. Le filtre pièges les plus sèches de faibles quantités de l'humidité et les particules étrangères du système. Le filtre déshydrateur doit être remplacée chaque fois que le système de réfrigération est ouvert ou si le réfrigérant a été complètement perdue.

Compresseur

Le compresseur fonctionne pendant tout le cycle. Si les vannes du compresseur sont endommagés, le compresseur sera incapable de pomper le fluide frigorigène efficacement. Valves endommagées peuvent être le résultat d'un autre problème dans le système de réfrigération. Lorsqu'un compresseur est remplacé, il est important que la charge de réfrigération être pesé dans le système et vérifier le fonctionnement pour empêcher une défaillance de la répétition. Un compresseur inefficace aura généralement une pression d'aspiration supérieure à la normale à la fin du cycle. Le cycle de congélation sera plus long que la normale et / ou le cycle de récolte peut être excessivement long. Vérifiez les ampères du compresseur 5 minutes dans le cycle de congélation. Si les ampères est inférieure à 70% du montant total évalué, le compresseur peut être inefficace. Ces symptômes peuvent aussi être causés par d'autres problèmes, il est donc important d'utiliser les tableaux de dépannage pour diagnostiquer un problème. Le condenseur à air est situé à l'arrière de l'armoire. L'air est

Instructions Français

aspiré à travers le condenseur par un moteur de ventilateur et libéré via le panneau de droite. En vertu de la contre-modèles de consommation et de l'air de décharge à travers le panneau avant. Ne pas bloquer la circulation d'air, car cela fera une défaillance prématurée de la machine et annulera la garantie.

Compresseur et démarrer les composants

Le compresseur doit fonctionner pendant tout le cycle. Si la machine est en position ON mais le compresseur ne fonctionne pas, vérifiez le contacteur du compresseur pour voir si elle est correctement connecté. Si le contacteur ne est pas connecté, le problème ne est pas avec le compresseur ou les composants de démarrage du compresseur. Si le contacteur est activé et la tension est correcte à travers le contacteur, il pourrait y avoir un problème avec l'un des composants de départ ou le compresseur. Il est recommandé que le compresseur est remplacé composants de départ lors du remplacement du compresseur.

DÉBRANCHEZ AVANT ENTRETIEN!

Si le compresseur utilise une surcharge interne, être certain que le compresseur a refroidi et la surcharge a été réinitialisé avant de diagnostiquer le compresseur. Si le compresseur est cool et ne fonctionne toujours pas, vérifiez les enroulements du moteur du compresseur en retirant d'abord les fils aux bornes du compresseur. Avec un ohmmètre, vérifier la continuité entre les trois terminaux, si un circuit ouvert existe entre l'une des bornes, le compresseur peut avoir besoin d'être remplacé. Vérifier la continuité de chaque terminal au corps de compresseur, si la continuité se trouve de ne importe quel terminal au corps de compresseur, les enroulements de compresseur sont mis à la masse et le compresseur devront être remplacés. Si le compresseur semble être bon à ce point, il est conseillé d'utiliser un analyseur de compresseur pour isoler le compresseur à partir des composants de départ lors de la vérification d'un rotor bloqué. Si elle ne est pas disponible, le compresseur composants de départ doit être vérifiée. Si tous les composants de départ travaillent, vérifier l'ampérage de la borne du compresseur, en veillant à la bonne tension est fournie au compresseur et tout le câblage est correctement connecté. Si le compresseur ne démarre pas et il est ampérage excessive, (voir ampères de rotor bloqué sur le compresseur tag) le compresseur a un rotor bloqué et doit être remplacé.

Surcharge (externe)

Si il n'y a pas ampérage vérifier la surcharge du compresseur. La surcharge du compresseur peut être contrôlée pour assurer la continuité après l'avoir sortie du compresseur et le laisser refroidir à température ambiante. Se il n'y a pas de continuité entre les deux bornes, remplacer la surcharge. Si la surcharge est soupçonné d'ouverture prématurément, il devrait être remplacé par une surcharge.

Condensateurs

Le condensateur de démarrage est un dispositif de stockage électrique utilisé pour fournir le couple de démarrage du compresseur. Si un condensateur de démarrage est défectueux, le compresseur ne démarre pas correctement. Le condensateur de marche est un dispositif de stockage électrique utilisé pour améliorer la productivité et l'efficacité du compresseur. Avant de contrôler un condensateur, il doit être évacué par un court-circuit entre les bornes. Si une course ou commencer condensateur est fissuré, de fuite ou bombé il doit être remplacé. Si un condensateur est soupçonné d'être défectueux, il peut facilement être vérifié en le remplaçant par un condensateur de la taille correcte, qui est connu pour fonctionner. Si le compresseur démarre et

Instructions Français

fonctionne correctement, remplacez le condensateur d'origine. Un testeur de condensateur peut aussi être utilisé.

Relais de démarrage

Le relais de démarrage coupe le circuit électrique des enroulements de démarrage lorsque le moteur du compresseur augmente de vitesse. Si le relais est défectueux, le compresseur ne démarre pas ou il peut démarrer mais se étendra sur un temps très court. Un relais du compresseur peut être vérifiée en retirant le relais et en vérifiant les contacts de relais pour dommages et vérifier la continuité à travers les points de relais fermés. Vérifier la bobine de relais avec un ohmmètre. Si aucune continuité est lu, remplacer le relais.

Détendeur thermostatique (TXV)

Soupape de détente thermostatique mesure le débit de réfrigérant dans l'évaporateur changeant d'état à partir d'un liquide à haute pression à un liquide à basse pression. Cette baisse de pression provoque le réfrigérant à refroidir. Le réfrigérant refroidi absorbe la chaleur de l'eau circulant au-dessus de l'évaporateur. Comme l'évaporateur se remplit de liquide réfrigérant, l'évaporateur est plus froid. Le flux de réfrigérant dans l'évaporateur est commandé par la température à la sortie de l'évaporateur. L'ampoule de la vanne de détente, monté à la partie supérieure de la conduite d'aspiration, détecte la température de sortie d'évaporateur entraînant la soupape de détente pour ouvrir ou fermer. Comme la glace se forme sur l'évaporateur, la température baisse et l'écoulement de réfrigérant dans l'évaporateur diminue, ce qui entraîne une chute de la pression d'aspiration. L'évaporateur doit devenir complètement inondé (rempli de liquide réfrigérant) pendant le cycle de congélation. Un évaporateur complètement inondé aura un motif de gel uniforme (formation de glace sur l'évaporateur). Un évaporateur faim (pas assez de liquide réfrigérant) aura peu ou pas de formation de glace au sommet de l'évaporateur, et le tube (s) sortant de l'évaporateur ne sera pas le gel. Tous les tubes doivent être dépolies environ 5 minutes depuis le début du cycle de congélation. Un détendeur qui est restreint ou ne pas ouvrir correctement va mourir de faim l'évaporateur entraînant inférieure à la pression d'aspiration normale. A charge de fluide frigorigène à faible sera également mourir de faim l'évaporateur et provoquer aspiration et de refoulement basses pressions. Si pas sûr de la quantité de charge dans le système, le fluide frigorigène doit être récupéré et la charge correcte être pesé avant une vanne défectueuse peut être diagnostiquée. Si l'évaporateur est privé mais la pression d'aspiration est supérieure à la normale, le détendeur ne est pas le problème, consultez les tableaux ci-dessus. Si le TXV colle ouverte ou si l'ampoule thermique ne est pas bien en contact avec la conduite d'aspiration, l'écoulement de fluide frigorigène dans l'évaporateur sera trop grande et réfrigérant liquide va inonder le compresseur. La pression d'aspiration reste supérieur à la normale et la machine reste dans un cycle de congélation prolongée. La glace se construire de manière uniforme, mais sera très épais.

Instrucciones en Español

SEGURIDAD Y GARANTÍA

- Apague la unidad y desenchufe antes de realizar cualquier operación de limpieza, mantenimiento o

Instrucciones en Español

reparación.

- No utilice la unidad con un cable de alimentación dañado. Si se encuentra un cable de alimentación dañado, apague inmediatamente el aparato y desenchúfelo. No haga funcionar de nuevo hasta que el personal capacitado se ha solucionado el problema.
- Sólo utilice la unidad en un terreno plano. No coloque la unidad cerca de fuentes de calor.
- Utilice únicamente piezas de recambio originales para las reparaciones.

USUARIOS RESIDENCIALES: El proveedor no asume ninguna responsabilidad por la cobertura de piezas o mano de obra por fallas de componentes u otros daños que resulten de la instalación en aplicaciones residenciales o no comerciales. Se reserva el derecho de negar el envío para uso residencial; si esto ocurre, se le notificará lo antes posible.

1 AÑO PIEZAS Y GARANTÍA TRABAJO

Dentro del período de garantía, póngase en contacto Omcan Inc. al 1-800-465-0234 para programar una Omcan técnico autorizado para reparar el equipo local.

Mantenimiento no autorizada anulará la garantía. La garantía cubre no fallas eléctricas y piezas de uso indebido.

Por favor, consulte <https://omcan.com/disclaimer> para obtener información completa.

ADVERTENCIA:

Las piezas de embalaje (cartón, polietileno, etc.) se clasifican como residuos sólidos urbanos y por lo tanto se pueden eliminar sin dificultades..

En cualquier caso, para el reciclaje adecuado, le sugerimos comercialización de esos productos por separado (residuos diferenciada) de acuerdo con las normas vigentes.

NO TIRAR LOS PRODUCTOS ENVASADO EN EL MEDIO AMBIENTE!

Instrucciones en Español

ESPECIFICACIONES TÉCNICAS

Modelo	IC-CN-0040
Producción máxima por día	264 lbs. / 120 kgs.
Almacenamiento máximo de hielo	88 lbs. / 40 kgs.
Clasificación máxima de temperatura ambiente	24°C / 75°F
Forma de hielo	Cubo
Eléctrico	110-120V / 60Hz / 1
Poder	1058 W
Actual	9.2A
Refrigerante	R404a, 680g
Peso	143.3 lbs. / 65 kgs.
Peso de embalaje	161 lbs. / 73 kgs.
Dimensiones	24" x 24.1" x 38.8" / 610 x 613 x 984mm
Dimensiones del embalaje	26.3" x 26.5" x 39.5" / 667 x 673 x 1003mm
Número de artículo	27936

INSTALACIÓN

Nota: La instalación debe ser realizada por un técnico capacitado. Para un correcto funcionamiento de la máquina de hielo, las siguientes pautas de instalación se deben seguir. El no hacerlo puede resultar en la pérdida de la capacidad de producción, fallas de las piezas prematuro, y puede invalidar cualquier garantía.

TEMPERATURA AMBIENTE DE FUNCIONAMIENTO

Temperatura de trabajo mínima: 50°F (10°C).

Temperatura de funcionamiento máxima: 100°F (38°C).

Nota: La unidad no está diseñada para uso en exteriores.

SUMINISTRO DE AGUA ENTRANTE

La temperatura del agua de entrada mínima: 40°F (5°C).

Temperatura máxima de entrada del agua: 90°F (32°C).

Presión mínima del agua de entrada: 15 psig.

Presión máxima del agua de entrada: 80 psig.

Nota: Si la presión del agua es superior a 80 psig, un regulador de presión de agua debe estar instalado.

Instrucciones en Español

DRENAJES

Ruta bin drenaje, desagüe de purga y drenaje del condensador de agua deben conectarse individualmente a un desagüe en el suelo. El uso de bombas de condensación para drenar el agua en el equipo no debe producir más de 200 libras. / Día. Omcan no asume ninguna responsabilidad para el equipo instalado incorrectamente.

FILTRACIÓN DE AGUA

Un sistema de filtro de agua debe instalarse con la máquina de hielo.

REQUISITOS DE COMPENSACIÓN

La unidad debe tener un mínimo de 6 pulgadas (15 cm) de espacio libre en la parte trasera, la parte superior y los lados de la máquina de hielo para la circulación de aire adecuada. Cuando el uso de modelos que se encuentran bajo el mostrador, la circulación se produce desde el frente. Superior y lateral autorizaciones son mínimos.

STACKING

Si las máquinas de hielo son para ser apilados, consulte las instrucciones que se describen más adelante en este manual. Omcan no recomienda apilar la unidad.

APLICACIÓN DISPENSADOR

Un kit de control termostático se debe instalar si la máquina de hielo se coloca en un dispensador. A la parte superior bin puede o puede no ser necesaria.

OPERACIÓN

Hay 3 sistemas: el sistema de refrigeración, el sistema de agua y el sistema eléctrico.

Durante la etapa de fabricación de hielo, la válvula de gas caliente está cerrada. El gas refrigerante caliente se bombea fuera del compresor al condensador. El gas caliente es enfriado por un ventilador después de pasar a través del condensador. El secador y el filtro reducirá la posible suciedad y la humedad en el refrigerante. El refrigerante se expande en el evaporador de refrigeración para que el agua se congele. El gas de baja presión de refrigerante vuelve al compresor desde el evaporador, donde continúa el ciclo. Durante la etapa de cosecha de hielo, la válvula está abierta. El gas refrigerante caliente se bombea fuera del compresor al evaporador a través de la válvula de gas caliente. Dado que el gas caliente que no enfriado por el condensador, el refrigerante calienta el evaporador. De hielo en contacto con el evaporador comienza a derretirse en el lado trasero. El hielo gradualmente toboganes de hielo fuera del evaporador y gotas para el depósito de almacenamiento. Cuando la entrada de agua está conectado con el suministro principal de agua, el agua llenará el canal a través de la válvula de flotador hasta que el nivel del agua en la cubeta se cierra la válvula. Durante la etapa de fabricación de hielo, el agua se bombea desde la bandeja de agua al

Instrucciones en Español

tubo de distribución de agua. El agua distribuida fluye sobre la superficie del evaporador frío donde el agua se convierte en hielo. El agua no congelada volverá a la artesa. Al final del ciclo de congelación y durante la cosecha, se abre la válvula de descarga de agua y el agua restante se bombea por el desagüe.

DESCRIPCION DEL CIRCUITO

1. Uso por primera vez: La máquina de hielo debe ser instalado correctamente. Cambie el grifo de agua, dejar que el relleno abrevadero, a continuación, encienda el interruptor de encendido en la posición ON en el panel posterior. La máquina de hielo comenzará a funcionar automáticamente. En esta etapa, el tiempo se fija alrededor de 3 minutos. En este estado, el blanco, verde, amarillo y LEDs rojos son luz juntos.
2. Hielo de decisiones Estado: El compresor, el ventilador del motor y la bomba están activados. La válvula de gas caliente está apagado. Cuando se enciende el LED verde, la unidad está funcionando en el modo de fabricación de hielo controlado por una sonda de temperatura en el evaporador. Cuando el LED verde parpadea, la unidad está funcionando en el modo de fabricación de hielo controlado por un temporizador fijo. El motor del ventilador se controla también por el sensor de condensador. Cuando la temperatura ambiente es demasiado baja, el ventilador del motor deja de funcionar.
3. Cosecha de hielo Estado: La bomba está apagada. La válvula de gas caliente, el compresor y el ventilador del motor están encendidas. El motor del ventilador se controla también por el sensor de condensador. Cuando la temperatura ambiente es demasiado baja, el ventilador del motor deja de funcionar. El LED amarillo indica el estado de la cosecha de hielo.
4. Hielo Estado completo y frío Etapa Conservación: Si el depósito de hielo se llena de hielo, la máquina deja de producir hielo y vuelve a la etapa de conservación en frío de forma automática. En esta etapa, el compresor funciona con regularidad para mantener las bajas temperaturas para que el hielo no se derrite. El resto de los componentes eléctricos están desactivados. El LED blanco indica el estado completo de hielo y el LED verde y amarillo indica juntos el estado de conservación en refrigeración.
5. Estado de limpieza: Ponga el interruptor de LIMPIEZA de la máquina para limpiar durante 3 minutos después de que el interruptor de alimentación está encendido. En esta etapa, la bomba está encendida. Compresor, ventilador del motor y están apagados. El verde y el LED amarillos parpadean juntos. Para detener el modo de limpieza, apague la máquina "OFF" o la unidad se apagará automáticamente después de 30 minutos. NOTA: Con el fin de iniciar el Status Limpie la unidad debe estar encendido. El interruptor LIMPIO debe estar encendido antes de 3 minutos antes de que arranque el compresor. No encienda el interruptor de LIMPIEZA en cuando la máquina se encuentra en estado de estado o de hielo a la cosecha de hacer hielo.

CAJA DE CONTROL

Instrucciones para el LED y botones:

1. LED blanco: Ice luz indicadora completa. Cuando este LED está encendido, el depósito de hielo está lleno de hielo o hay algo entre el sensor full-hielo y el evaporador. La unidad deja de producir hielo. Cuando se toman los cubos de hielo del depósito de hielo haciendo la sonda completo libre de hielo, el LED blanco parpadea durante 3 minutos. Entonces la unidad se reiniciará y volverá al modo de fabricación de hielo.
2. LED verde: luz indicadora de Hielo. Cuando este LED está encendido, la unidad está funcionando en el modo de fabricación de hielo controlado por una sonda de temperatura en el evaporador. Cuando el LED verde parpadea, la unidad está funcionando en el modo de fabricación de hielo controlado por un temporizador fijo.

Instrucciones en Español

3. LED amarillo: luz indicadora de la cosecha de hielo. Cuando este LED está encendido, la unidad está funcionando en el modo de cosecha de hielo controlado por sonda llena de hielo. Cuando el LED verde y el LED amarillo está encendido, significa que la unidad está trabajando en la etapa de conservación en frío.
4. LED rojo: indicador luminoso de alimentación. La unidad se enciende cuando el LED rojo está encendido.
5. Botón Modo: Principalmente para el servicio. Cuando se pulsa este botón, se puede cambiar de modo de fabricación de hielo a modo de cosecha de hielo, o desde el modo de cosecha de hielo a modo de fabricación de hielo. Usted puede ver el cambio de la modalidad de la condición de los LEDs verde y amarillo.

NOTA: Si durante el ajuste del tamaño del hielo, el "BIN FULL", "ICE" y LEDs "cosecha" parpadean a la vez, esto indica que la unidad está en la configuración predeterminada de fábrica del ajuste del tamaño de hielo.

CONTROLES DE LA JUNTA DE CONTROL

Timer Iniciado

El temporizador iniciado es un sensor de temperatura montado en la línea de líquido al evaporador. Cuando el sensor detecta la baja temperatura correcta, la congelación inicia el temporizador y la máquina entra en la parte cronometrada del ciclo de congelación. Cuando se inicia el timer de congelación, la máquina se encuentra en la parte cronometrada del ciclo de congelación. Cuando la máquina entra en la cosecha, la temperatura aumenta, pero la cantidad de tiempo que la máquina se encuentra en la cosecha está predeterminado y es controlada por el Consejo Regulador. Una vez que ha pasado el tiempo, la máquina entrará en el ciclo de cosecha. El temporizador no es ajustable, pero la temperatura a la que se inicia el temporizador es ajustable.

ICE TAMAÑO DE AJUSTE

1. Mantenga pulsado el botón "Limpiar" y el botón "Mode" durante al menos 3 segundos. La unidad entrará en el modo de ajuste de tamaño de Hielo. El LED verde parpadea continuamente durante el ajuste del tamaño del hielo.
2. Mientras que en el modo de ajuste Tamaño de hielo, presione el botón "Clean" o el botón "Mode" para el tamaño de hielo deseado.

Ajuste de hielo más pequeños: Al pulsar el botón "Clean", puede reducir el tamaño de los cubos de hielo. El LED rojo parpadea a medida que baja el tamaño de hielo y finalmente será el parpadeo en el ajuste de tamaño más pequeño de hielo.

Ajuste de hielo más grande: Al pulsar el botón "Mode", puede aumentar el tamaño de los cubos de hielo. El LED amarillo parpadea como el mayor tamaño se establece y parpadeará cuando se ha alcanzado el valor de mayor tamaño de hielo. Después de 10 segundos sin ninguna operación, la unidad memorizará automáticamente la configuración actual y volver al modo anterior.

Instrucciones en Español

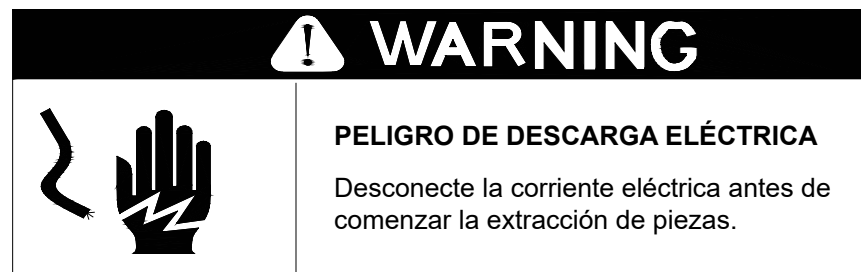
BIN CONTROL DE FUNCIONAMIENTO

El control del depósito se utiliza para apagar la máquina cuando el depósito se llena de hielo. El control del depósito deberá ser verificado durante la instalación o puesta en marcha inicial y al realizar el mantenimiento. Hay un interruptor del depósito para cada evaporador. El brazo accionador del interruptor bin entra en contacto con la cortina de chapoteo. Cuando el depósito está lleno de hielo, la cortina se mantiene abierta cuando cae el hielo fuera del evaporador. Esto libera la presión del brazo actuador interruptor del depósito permitiendo que el interruptor para abrir. Unidades colocadas debajo de los mostradores y máquinas sin cortinas: Un tobogán de hielo en la parte inferior del evaporador se utiliza sobre todo en virtud de las unidades de venta libre y algunas unidades modulares. La guía de deslizamiento eslabones giratorios arriba y hacia abajo y tiene un interruptor de lámina magnético que detecta su posición. Cuando el hielo se está sentando en el control, la guía de deslizamiento está orientado hacia abajo que indica que el hielo está presente (y desconectando el circuito del interruptor de láminas). Cuando se retira el hielo, la guía deslizante gira y la conexión se completa permitiendo que la máquina comience a producir hielo nuevo.

BIN CONTROL DE AJUSTE

Todos los modelos (excepto los que no tienen cortinas): Comprobar el interruptor del depósito para un ajuste adecuado moviendo la parte inferior de la cortina de distancia del evaporador. Lentamente la cortina hacia el evaporador. El interruptor debe cerrar cuando el borde inferior de la cortina es incluso con el borde exterior de la bandeja de agua. Ajuste el interruptor aflojando los tornillos que sujetan el interruptor en su lugar. Mueva el interruptor en la posición correcta y vuelva a apretar los tornillos. Vuelva a revisar el ajuste. En virtud de los modelos de venta libre o los que no tienen cortinas: No hay ajustes necesarios para la papelera interruptor (magnético reed).

MANTENIMIENTO



Antes de Mantenimiento:

1. Asegúrese de que el suministro eléctrico es de 110-120 V CA, 60 Hz, 15A y correcta conexión a tierra para proteger al personal de mantenimiento.
2. Si hay piezas eléctricas están sueltas o si existe el peligro de cortocircuitos, desconecte la alimentación inmediatamente.

PROCEDIMIENTO DE MANTENIMIENTO

1. La limpieza debe realizarse por lo menos cada 6 meses. Condiciones de agua locales pueden exigir que

Instrucciones en Español

se realice una limpieza más a menudo.

2. Compruebe el grosor del puente de hielo. El espesor debe estar entre 1 / 16-1 / 8”.
3. Compruebe el nivel de agua en el canal. Compruebe que el nivel de agua adecuado y ajuste y solucionar problemas si hay un nivel incorrecto.
4. Limpie el condensador para asegurar el flujo de aire adecuado.
5. Compruebe si hay fugas de ningún tipo: agua, refrigerante, aceite, etc.
6. Compruebe el interruptor del depósito para un ajuste adecuado.
7. Revise todas las conexiones eléctricas.
8. Revise el aceite del motor del ventilador si procede.

LIMPIEZA Y DESINFECCIÓN

Los problemas pueden ocurrir si los siguientes procedimientos no se llevan a cabo cada 6 meses:

1. Extraiga el panel frontal.
2. Asegúrese de que no hay hielo en el evaporador. Si es así, espere a que termine la operación y apague la máquina “OFF”.
3. Retire o derretir todo el hielo en el depósito de almacenamiento.
4. Agregue la cantidad recomendada de limpiador aprobado para el canal de agua de acuerdo a instrucciones de la etiqueta del envase.
5. Iniciar el ciclo de limpieza en el interruptor de circuito del controlador de encender la máquina y el cambio a la configuración de “limpio”. Nota: Esto debe hacerse dentro de los 3 minutos de encender la máquina “ON”. Deje que el limpiador circule durante aproximadamente 15 minutos para eliminar los depósitos minerales.
6. Después de 15 minutos (o 30 minutos de forma automática), detenga el proceso y el drenaje. Vuelva a llenar con agua limpia y correr durante otros 5 minutos, y escurrir de nuevo. Llene la cubeta con agua entrante fresco.
7. Detener el ciclo de lavado colocando el interruptor en la posición “OFF”. Retire la cortina splash (si corresponde) e inspeccione el evaporador y aliviadero de agua (la tapa de plástico del evaporador) para asegurar que todos los residuos de minerales se ha eliminado.
8. Si es necesario, limpie el evaporador, el vertedero y otras superficies con un paño suave y limpio para eliminar cualquier residuo restante. Si es necesario, retire el tubo de distribución de agua, desmontar y limpiar con una escobilla. Volver a montar todos los componentes y repita los pasos 4 a 7 según sea necesario para eliminar los residuos.
9. Apague la unidad y limpie el depósito de agua a fondo para eliminar toda escala o limo acumulación. Si es necesario, retire la bandeja de agua para llegar a todas las áreas de salpicadura.
10. Preparar 1½ a 2 galones (5.7 a 7.5 litros) de aprobado (EPA / FDA) de sodio equipo alimenticio hipoclorito desinfectante para formar una solución con 100 a 200 ppm de rendimiento libre de cloro.
11. Añadir solución desinfectante suficiente para llenar la bandeja de agua hasta rebosar y activar el interruptor en la posición “limpio” y permite la circulación que se produzca durante 10 minutos e inspeccione todos los accesorios desmontados si hay fugas. Durante este tiempo, limpie todas las demás áreas de salpicadura de la máquina de hielo y las superficies interiores del depósito, el deflector y puerta con la solución desinfectante restante. Inspeccione para asegurarse de que todas las partes, sujetadores, bulbos del termostato funcionales (si se utilizan), etc. están en su lugar.
12. Después de 3 minutos, detenga el proceso y el drenaje. Vuelva a llenar con agua limpia ejecutar otros 5 minutos y escurrir de nuevo. Llene la cubeta con agua entrante fresco.

Instrucciones en Español

13. Coloque el interruptor en la posición "ON" y reemplazar o cerrar el panel. Deseche los dos primeros lotes de hielo.

SUSTITUCIÓN DE LA CAJA DE CONTROL Y SENSOR DE TEMPERATURA

- Retire la tapa posterior y el panel frontal o lateral.
- Localice la caja de control electrónico en la unidad.
- Tire con cuidado de los sensores de temperatura (uno en el evaporador, otro en el condensador).
- Afloje los tornillos que sujetan la caja de control y reemplazar. Invierta los pasos anteriores para volver a montar.
- Si necesita reemplazar un sensor de temperatura, saque el sensor, abra el panel de la caja de control, extraiga el otro extremo de la sonda y cambiarla. Invierta los pasos para volver a montar.

REEMPLAZO DE LA BOMBA DE AGUA

- Apague la unidad y desenchufe de la toma.
- Retire la cubierta frontal.
- Desconecte las líneas conectadas con la bomba de agua, incluyendo el tubo de salida de agua.
- Afloje los tornillos. Reemplazar la bomba con una nueva.
- Invierta los pasos anteriores para volver a montar.

SUSTITUCIÓN DE LOS COMPONENTES DEL SISTEMA DE ENFRIAMIENTO

- Retire el panel superior y el panel de la izquierda, busque el compresor es necesario desmontar la pinza y reemplazar los componentes defectuosos.
- Invierta los pasos anteriores para volver a montar.

PELIGRO DE DESCARGA ELÉCTRICA

- Apague la unidad y desenchufe que forman el zócalo.
- Si el compresor debe ser reemplazado, quite la tapa y localice el compresor.
- Desconecte las líneas y eliminar la línea de tierra, abrir el proceso / succión, retire el refrigerante, sacar el compresor y reemplazarlo.
- Invierta los pasos anteriores para volver a montar.

SUSTITUCIÓN DEL MOTOR DEL VENTILADOR Y FAN HOJA

- Retire la tapa y paneles de la derecha.
- Busque el motor del ventilador, desconecte las líneas conectadas con el motor del ventilador, aflojar los tornillos del soporte de estribo de sujeción y el motor del ventilador, retire la unidad dañada y sustituirla por una nueva.
- Invierta los pasos anteriores para volver a montar.

Instrucciones en Español

SUSTITUCIÓN DE LA VALVULA DE GAS CALIENTE, SECADORA Y EVAPORADOR

- Retire el panel superior.
- Retire el refrigerante. Busque el más seco y válvula de gas caliente, soldadura abierta, reemplace la válvula de gas seco y caliente, y soldadura. Cambie el refrigerante.
- Invierta los pasos anteriores para volver a montar.
- Si es necesario, sustituya el evaporador.
- Retire el refrigerante. Retire la parte superior paneles frontal y, localice el evaporador, abra el proceso / succión, abra las dos soldaduras, sustituya con un nuevo evaporador. Cambie el refrigerante.
- Invierta los pasos anteriores para volver a montar.

SOLUCIÓN DE PROBLEMAS

Máquina no funciona.

Paso	Comprobar	En caso afirmativo, proceder a	Si no, proceder a
A1	¿Está activada la alimentación en ON?	Encender.	A2.
A2	¿Hay poder de la máquina?	Rewire.	A3.
A3	¿Es el depósito lleno?	A4.	Extrae hielo.
A4	Se ajusta el control del depósito?	Ajustar.	A5.
A5	Se activa el interruptor de seguridad de alta presión?	A6.	Restablecer condensador limpio.
A6	Es cambiar el selector?		Reemplazar.

Instrucciones en Español

La máquina funciona, pero no produce hielo

Paso	Comprobar	En caso afirmativo, proceder a	Si no, proceder a
B1	Es un chorro de agua sobre el evaporador?	La siguiente tabla de solución de problemas.	B2.
B2	¿Está el compresor funcionando?	B5.	B3.
B3	¿Hay corriente al compresor?		Compruebe si hay mala conexión o componentes de partida.
B4	¿Está el interruptor defectuoso?	Reemplazar.	
B5	¿Hay fugas de agua de la cubeta?	Repare la fuga.	B6.
B6	¿La presión del refrigerante de alta?	Limpie el condensador o cheque de vehículos pesados.	B7.
B7	¿La presión del refrigerante de baja?	Compruebe si hay fugas.	B8.
B8	¿Hay una restricción del lado de baja?	Reparación.	TXV es defectuoso.

La máquina produce cubos nublados o incompletos.

Paso	Comprobar	En caso afirmativo, proceder a	Si no, proceder a
C1	Es un chorro de agua sobre el evaporador?	C2.	C3.
C2	¿Es el nivel de la máquina?	La calidad del agua de entrada es pobre.	Nivele la unidad.
C3	¿Es correcto el nivel del agua a través?	C6.	C4.
C4	¿Es correcta la presión de suministro?	C5.	Deficiencia correcta.
C5	¿Hay una fuga de agua?	Repare la fuga.	Ajuste la válvula de flotador.
C6	¿Está el tubo de distribución de agua conectado correctamente?	Limpie / cambie.	C7.
C7	¿Está dañado la bomba de agua?	Reemplace / bomba de reparación.	Clean aliviadero evaporador.

Instrucciones en Español

Produce cubos adecuados pero es lento en la producción.

Paso	Comprobar	En caso afirmativo, proceder a	Si no, proceder a
D1	¿Está la unidad correctamente instalado?	D2.	Instale correctamente la unidad.
D2	Es la presión de la cabeza demasiado alto?	D3.	Revise el sistema de refrigeración.
D3	¿Es limpio el condensador?	Revise el sistema de refrigeración.	Limpio.

Cubos son huecos.

Paso	Comprobar	En caso afirmativo, proceder a	Si no, proceder a
E1	Es la temperatura del agua por encima de 100°F?	Corrija la temperatura.	E2.
E2	¿Hay un buen flujo sobre el evaporador?	E3.	Ir a la sección C.
E3	¿Hay fugas de agua de la purga?	Reemplace la válvula.	E4.
E4	¿Funciona el ajustador cubo?	Tamaño de los cubos de reinicio.	E5.
E5	¿Es el sensor del evaporador suelto?	Apretar.	E6.
E6	¿Es el apretado cable del sensor del evaporador?	E7.	Estrecha la conexión de la horquilla a la placa.
E7	¿Está dañado el controlador?	Reemplazar.	

Espesor Bridge es desigual.

Paso	Comprobar	En caso afirmativo, proceder a	Si no, proceder a
F1	Es la temperatura del agua por encima de 100°F?	Corrija la temperatura.	F2.
F2	¿Está el agua corriendo en el cubo?	Revise las secciones C, D, E o detectar a través de fugas.	F3.
F3	¿Es el agua goteando de la purga?	Reemplace la válvula.	F4.
F4	¿La presión de succión alta?	Revise la válvula de gas caliente.	Recarga y / o comprobar la válvula de expansión.

Instrucciones en Español

Espesor del puente varía con cada ciclo.

Paso	Comprobar	En caso afirmativo, proceder a	Si no, proceder a
G1	Es la temperatura del agua adecuada?	Correctamente ajustar la temperatura.	G2.
G2	Tiene una fuga de la válvula de purga?	Reemplace la válvula.	G3.
G3	¿Está dañado la válvula de gas caliente?	Reemplazar.	G4.
G4	Son sensores conectados a la placa?	G5.	Apriete las conexiones de pala.
G5	¿Está dañado el controlador?	Reemplazar.	G6.
G6	¿Está dañado la válvula de expansión térmica?	Reemplazar.	

La máquina no arranca la producción de cubitos de hielo.

Paso	Comprobar	En caso afirmativo, proceder a	Si no, proceder a
H1	¿Funciona la válvula de purga?	H6.	H2.
H2	Es el patrón de congelación aún?	H3.	H2.
H3	Tiene una fuga de la válvula de purga?	Reemplazar.	H3.
H4	¿Está fallando el compresor?	Reemplazar.	H4.
H5	¿El sistema suministra con demasiada tensión?	Ajuste la tensión.	Reemplace la válvula de expansión.
H6	¿Es el relé defectuoso?	Reemplazar.	H7.
H7	Es la tarjeta defectuosa?	Reemplazar.	

La máquina cosecha, pero vuelve al hielo de decisiones antes de tiempo.

Paso	Comprobar	En caso afirmativo, proceder a	Si no, proceder a
I1	¿Está abierta la purga manual?	Reemplace la válvula de purga.	I2.
I2	¿Está abierto el interruptor de seguridad de alta temperatura?	Reemplazar.	I3.
I3	¿Está dañado el relé?	Reemplazar.	

Instrucciones en Español

Duración de la cosecha es excesivo.

Paso	Comprobar	En caso afirmativo, proceder a	Si no, proceder a
J1	¿La máquina está instalada correctamente?	J2.	Correcto.
J2	Está formando correctamente hielo?	J3.	Baja carga - recarga.
J3	¿La presión de aspiración es demasiado baja?	Vuelva a colocar la válvula de gas caliente.	J4.
J4	¿Es el evaporador limpio?	J5.	Limpiar en consecuencia.
J5	¿Es correcto el puente de hielo?	J6.	Ir a F o G secciones.
J6	¿Es el nivel de la máquina?	J7.	Nivele la unidad.
J7	¿Tiene el agua corre sobre el evaporador durante la cosecha?	Limpie o J11.	J8.
J8	Tiene una fuga de la válvula de purga?	Reemplazar.	J9.
J9	¿Está dañado el relé?	Reemplazar.	J10.
J10	¿Está dañado el selector?	Reemplazar.	
J11	¿Está dañado la presión de succión?	Reemplace evaporador.	J12.
J12	¿Es la presión de descarga baja durante la congelación?	La temperatura ambiente es demasiado baja.	Vuelva a colocar la válvula de gas caliente.

Evaporador se calienta.

Paso	Comprobar	En caso afirmativo, proceder a	Si no, proceder a
K1	¿Está la unidad correctamente instalado?	K2.	Instale correctamente la unidad.
K2	Está girando el ventilador del condensador?	K3.	Apriete la cuchilla, compruebe los cables o cambie el motor.
K3	¿Son las conexiones de la válvula de gas caliente floja?	Apriete todas las conexiones de cableado.	K4.
K4	¿La máquina está cargada correctamente?	K5.	Cargue correctamente.
K5	¿Está el controlador funciona correctamente?	Vuelva a colocar la válvula de gas caliente.	Vuelva a colocar la placa del controlador.

Instrucciones en Español

El compresor no arranca.

Paso	Comprobar	En caso afirmativo, proceder a	Si no, proceder a
L1	¿Es el condensador sucio?	Limpio.	L2.
L2	Tiene el ventilador parado o está sucio?	Reparación / limpia.	L3.
L3	¿Están los cables firmemente en el controlador?	L4.	Apriete todas las conexiones de pala.
L4	¿Está el compresor componentes empezando dañado?	Reemplace los componentes.	L5.
L5	¿Está dañado el circuito del controlador?	Reemplazar.	L6.
L6	¿Está dañado el compresor?	Reemplazar.	

El compresor funciona pero no hay hielo se produce.

Paso	Comprobar	En caso afirmativo, proceder a	Si no, proceder a
M1	Se obstruye la salida de aire?	Despeja el camino.	M2.
M2	¿Es el condensador sucio?	Limpio.	M3.
M3	Está girando el ventilador?	M4.	Reemplace el motor del ventilador.
M4	¿Hay una fuga de refrigerante?	Añadir la válvula, limpiar el refrigerante, arreglar y carga (reemplace el filtro).	M5.
M5	¿Está el tubo de la válvula de expansión o gorra funcionando normalmente?	M6.	Añadir la válvula, limpiar el refrigerante, arreglar y carga (reemplace el filtro).
M6	¿El modo de fabricación de hielo convertir a cosechar?		Vuelva a colocar la placa del controlador.

Máquina hace ruido excesivo.

Paso	Comprobar	En caso afirmativo, proceder a	Si no, proceder a
N1	¿Son los paneles sueltos?	Apriete todos los tornillos.	N2.
N2	¿El ventilador golpeando el sudario?	Reordenar.	N3.
N3	¿Está suelto el aspa del ventilador?	Apretar.	N4.
N4	¿Es la bomba ruidosa?	N5.	N6.
N5	¿Hay un objeto en la hélice?	Retire el objeto.	Vuelva a colocar la bomba.
N6	¿Es el ruido del compresor?	Reemplace el compresor.	

Instrucciones en Español

TÉCNICAS AVANZADAS DE PROBLEMAS DE COMPONENTES

Ciclo de refrigerante y componentes

Antes de diagnosticar el sistema de refrigeración, es muy importante que la carga de refrigeración es correcta. Cada vez que el sistema de refrigeración se ha abierto, el filtro secador debe ser reemplazado y la carga de refrigerante adecuada debe sopesarse en.

Presiones de Refrigerante

La presión de succión en el comienzo del ciclo de congelación puede variar + / 10 psi (0,7 bar) dependiendo de las condiciones de funcionamiento. Las presiones de menos de esto puede indicar una carga insuficiente. La presión de descarga de aire enfría unidades variarán según las condiciones ambientales. El refrigerante en un estado de gas se bombea a través del sistema de refrigeración por un compresor hermético al condensador. El calor se elimina del refrigerante ya sea por el movimiento de aire forzado a través de un condensador enfriado por aire o la transferencia de calor desde el refrigerante al agua a través de un condensador enfriado por agua. El refrigerante cambia a un líquido cuando se enfrían. El refrigerante en estado líquido pasa a través de un filtro secador. El filtro trampa secas pequeñas cantidades de humedad y partículas extrañas del sistema. El filtro secador debe ser reemplazado cada vez que el sistema de refrigeración se abre o si el refrigerante se ha perdido por completo.

Compresor

El compresor funciona durante todo el ciclo. Si las válvulas en el compresor están dañados, el compresor será incapaz de bombear refrigerante de manera eficiente. Válvulas dañadas pueden ser el resultado de otro problema en el sistema de refrigeración. Cuando se sustituye un compresor, es importante que la carga de refrigeración se pesó y el sistema comprueba para un funcionamiento correcto para evitar un fallo de repetición. Un compresor ineficiente por lo general tienen un mayor que la normal presión de succión al final del ciclo. El ciclo de congelación será más largo de lo normal y / o el ciclo de cosecha puede ser excesivamente largo. Compruebe amperios del compresor 5 minutos en el ciclo de congelación. Si el amperaje es inferior al 70% del importe total nominal, el compresor puede ser ineficiente. Estos síntomas también pueden ser causados por otros problemas, por lo que es importante utilizar las tablas de resolución de problemas en el diagnóstico de un problema. El condensador de aire se encuentra en la parte posterior del armario. Aire es forzado a través del condensador mediante un motor de ventilador y libera a través del panel de la derecha. Bajo el modelo de contador de admisión y descarga de aire a través del panel frontal. No bloquee el flujo de aire, ya que causará la falla prematura de la máquina y se anulará la garantía.

Compresor y componentes de arranque

El compresor debe funcionar durante todo el ciclo. Si la máquina está en la posición ON, pero el compresor no está en funcionamiento, comprobar el contactor del compresor para ver si está bien conectado. Si el contactor no está conectado, el problema no es con el compresor o los componentes de arranque del compresor. Si el contactor está comprometido y hay voltaje correcto a través del contactor, podría haber un problema con uno de los componentes de partida o el compresor. Se recomienda que el compresor componentes de partida se sustituye cuando se sustituye el compresor.

Instrucciones en Español

DESCONECTE LA ENERGÍA ANTES DE DAR SERVICIO!

Si el compresor utiliza una sobrecarga interna, estar seguro de que el compresor se haya enfriado y la sobrecarga se haya antes de diagnosticar el compresor. Si el compresor está frío y todavía no está en marcha, comprobar las bobinas del motor compresor quitando primero los cables en los terminales del compresor. Con un ohmímetro para comprobar la continuidad entre los tres terminales, si hay un circuito abierto entre cualquiera de los terminales, puede necesitar ser reemplazado el compresor. Verificar la continuidad de cada terminal para el cuerpo del compresor, si se encuentra continuidad desde cualquier terminal al cuerpo del compresor, los bobinados del compresor son cortocircuito a tierra y necesitarán el compresor que ser reemplazado. Si el compresor parece ser bueno en este punto, es recomendable utilizar un analizador de compresor para aislar el compresor de los componentes de arranque durante la comprobación de un rotor bloqueado. Si no está disponible, el compresor componentes de partida debe ser revisado. Si todos los componentes de partida están trabajando, compruebe el amperaje de la terminal del compresor, por lo que el voltaje adecuado seguro es suministrada al compresor y todo el cableado está conectado correctamente. Si el compresor no arranca y hay exceso de amperaje, (ver amperios rotor bloqueado en la etiqueta del compresor) el compresor tiene un rotor bloqueado y debe ser reemplazado.

Sobrecarga (Externa)

Si no hay amperaje comprobar la sobrecarga del compresor. La sobrecarga del compresor se puede comprobar la continuidad después de sacarla del compresor y dejar que se enfríe a temperatura ambiente. Si no hay continuidad entre los dos terminales, reemplace la sobrecarga. Si la sobrecarga es sospechoso de apertura antes de tiempo, debe ser reemplazado con una sobrecarga.

Condensadores

El condensador de arranque es un dispositivo de almacenamiento eléctrico utilizado para proporcionar el par de arranque al compresor. Si un condensador de arranque es defectuoso, el compresor no arrancará correctamente. El condensador de marcha es un dispositivo de almacenamiento eléctrico usado para mejorar la productividad y la eficiencia del compresor. Antes de comprobar un condensador, se deberá descargar por un cortocircuito en los terminales. Si hay una grieta en una carrera o iniciar condensador, con fugas o abultamiento debe ser reemplazado. Si un condensador es sospechoso de ser defectuoso, que puede ser fácilmente controlada mediante la sustitución con un condensador del tamaño correcto, que es conocido por estar funcionando. Si el compresor arranca y corre apropiadamente reemplace el capacitor originales. Un probador de condensador también se puede utilizar.

Relé de arranque

El relé de arranque rompe el circuito eléctrico a los devanados de arranque cuando aumenta la velocidad del motor del compresor. Si el relé está defectuoso, el compresor no arranca o se puede empezar, pero tendrá una duración de un tiempo muy corto. Un relé del compresor se puede comprobar quitando el relé y la comprobación de los contactos del relé por daños y compruebe la continuidad a través de los puntos de relevo cerrados. Compruebe la bobina del relé con un polímetro. Si no hay continuidad se lee, sustituir el relé.

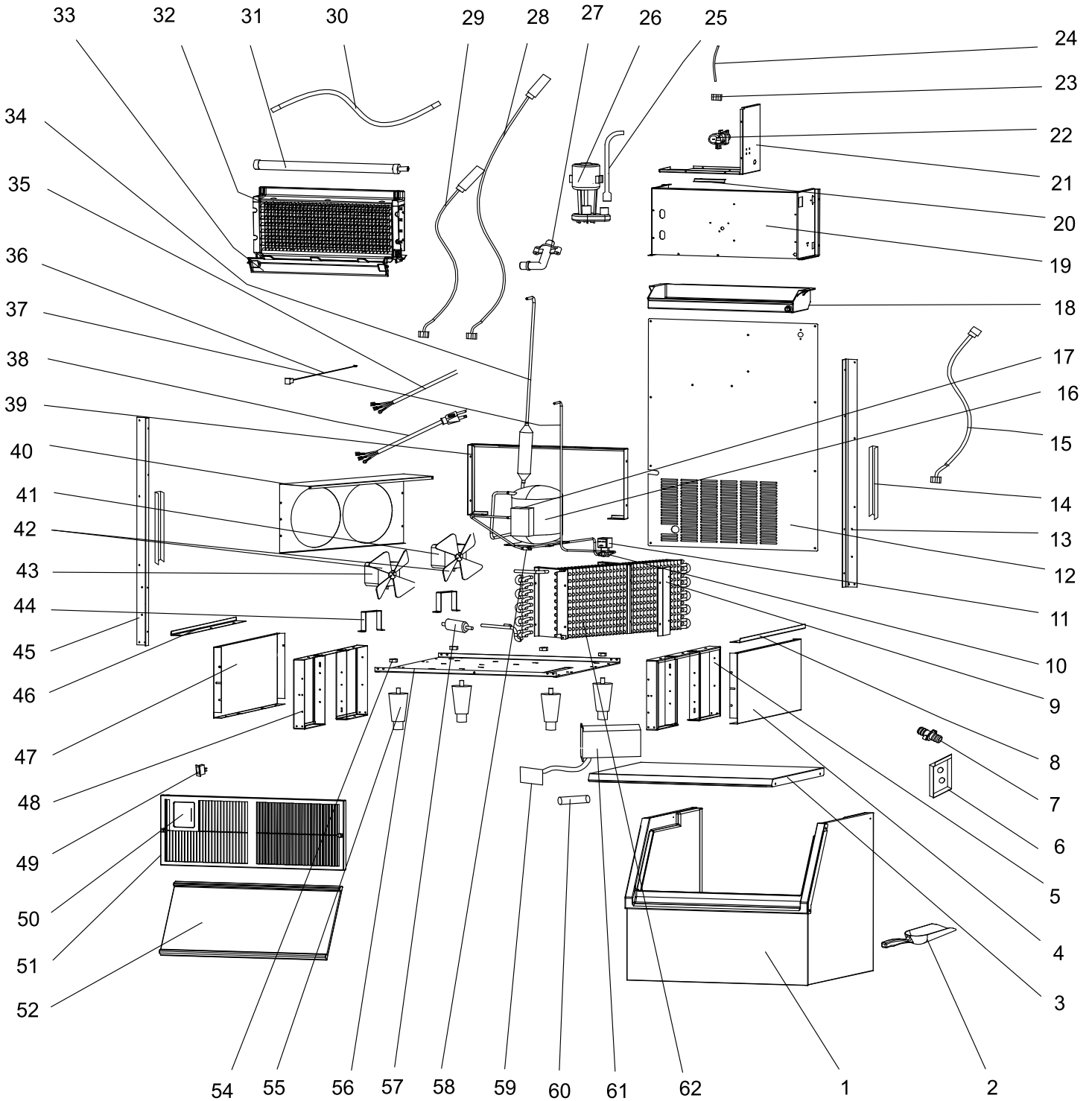
Instrucciones en Español

Válvula de expansión termostática (TXV)

La válvula de expansión termostática mide el flujo de refrigerante en el evaporador cambiar su estado de líquido a alta presión a un líquido a baja presión. Esta caída en la presión hace que el refrigerante se enfríe. El refrigerante enfriado absorbe el calor del agua que circula sobre el evaporador. A medida que el evaporador se llena de líquido refrigerante, el evaporador se vuelve más frío. El flujo de refrigerante en el evaporador está controlada por la temperatura a la salida del evaporador. El bulbo de la válvula de expansión, montado en la parte superior de la línea de succión, detecta la temperatura de salida del evaporador haciendo que la válvula de expansión para abrir o cerrar. Como se forma hielo en el evaporador, baja la temperatura y el flujo de refrigerante en los descensos del evaporador, lo que resulta en una disminución de la presión de succión. El evaporador debe ser completamente inundada (lleno de refrigerante líquido) durante el ciclo de congelación. Un evaporador completamente inundado tendrá un patrón congelación uniforme (la formación de hielo a través del evaporador). Un evaporador de hambre (no suficiente refrigerante líquido) tendrá la formación de hielo pobre o no en la parte superior del evaporador, y el tubo (s) que sale del evaporador no heladas. Todos los tubos deben ser mate aproximadamente 5 minutos desde el inicio del ciclo de congelación. Una válvula de expansión que está restringido o no abrir correctamente morirá de hambre el evaporador lo que resulta en menor que la presión normal de succión. Una carga de refrigerante baja también se morirá de hambre el evaporador y provocar de succión y descarga bajas presiones. Si no está seguro de la cantidad de carga en el sistema, el refrigerante debe ser recuperado y la carga correcta pesarse antes de una válvula defectuosa puede ser diagnosticada. Si el evaporador está muerto de hambre, pero la presión de succión es más alto de lo normal, la válvula de expansión no es el problema, consulte las tablas anteriores. Si el TXV se pega abierta o si la bombilla térmica no está haciendo buen contacto con la línea de aspiración, el flujo de refrigerante en el evaporador será demasiado grande y el refrigerante líquido inundará el compresor. La presión de succión se mantendrá alto de lo normal y la máquina va a permanecer en un ciclo de congelación prolongada. El hielo se construye de manera uniforme, pero va a ser muy gruesa.

Parts Breakdown

Model IC-CN-0040 27936





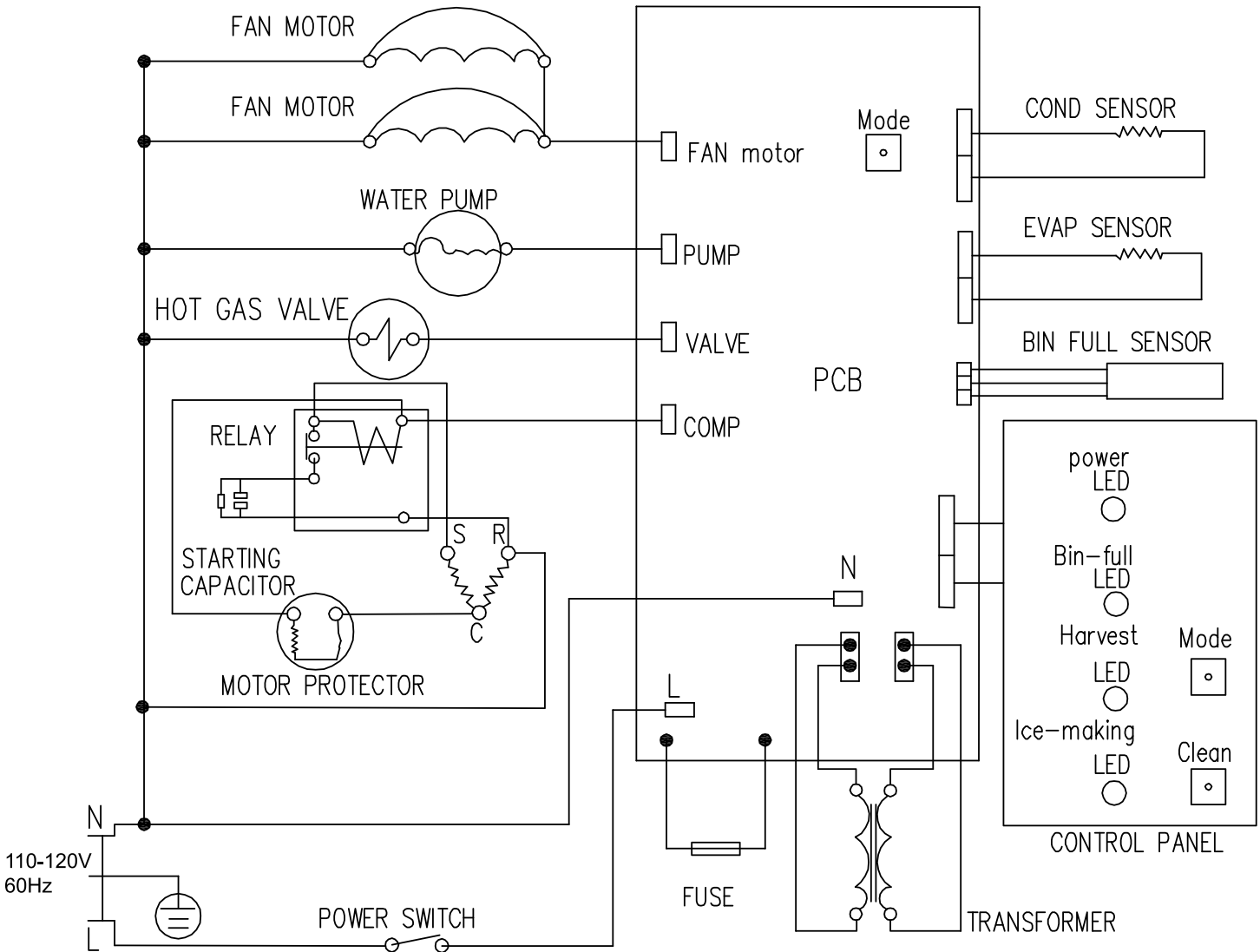
Parts Breakdown

Model IC-CN-0040 27936

Item No.	Description	Position	Item No.	Description	Position	Item No.	Description	Position
42868	Ice Scoop for 27936	2	42878	Water Inlet for 27936	27	39284	EBM Motor 10W for 27936	43
42869	Top Panel for 27936	3	39278	Condenser Sensor for 27936	28	42887	Power Switch for 27936	49
42870	Drain Nut for 27936	6	39275	Evaporator Sensor for 27936	29	42888	Clean Switch for 27936	50
42871	Hot Gas Valve Body (EVU3) for 27936	10	42879	Water Sprinkler for 27936	31	42889	Under Louver for 27936	51
42872	Hot Gas Valve Coil for 27936	11	42880	Evaporator (Ice Mold) for 27936	32	42890	Door for 27936	52
42873	Compressor for 27936	16	39288	Ice Slideway for 27936	33	42891	Locked Screw (Block Screw) for 27936	54
42874	Water Trough for 27936	18	42881	Wiring Harness for 27936	35	39293	Foot for 27936	55
39292	Floater Valve for 27936	22	42882	Magnetism Switch for 27936	36	42892	Dryer for 27936	57
42875	Water Inlet Pipe Screw for 27936	23	42883	Power Plug for 27936	38	42893	15A Fuse of Controller for 27936	60
42876	Water Outlet Tube of Pump for 27936	25	40288	Fan Motor for 27936	41	39280	Control Box for 27936	61
42877	Water Pump for 27936	26	42885	Fan Blade for 27936	42	42894	Condenser for 27936	62

Electrical Schematics

Model IC-CN-0040 27936



NEMA
5 - 15P
125VAC / 15 AMP



Warranty Registration

Thank you for purchasing an Omcan product. To register your warranty for this product, complete the information below, tear off the card at the perforation and then send to the address specified below. You can also register online by visiting:

Merci d'avoir acheté un produit Omcan. Pour enregistrer votre garantie pour ce produit, complétez les informations ci-dessous, détachez la carte au niveau de la perforation, puis l'envoyer à l'adresse spécifiée ci-dessous. Vous pouvez également vous inscrire en ligne en visitant:

Gracias por comprar un producto Omcan usted. Para registrar su garantía para este producto, complete la información a continuación, cortar la tarjeta en la perforación y luego enviarlo a la dirección indicada a continuación. También puede registrarse en línea en:

<https://omcan.com/warranty-registration/>

For mailing in Canada

Pour postale au Canada

Por correo en Canadá

OMCAN

PRODUCT WARRANTY REGISTRATION

3115 Pepper Mill Court,

Mississauga, Ontario

Canada, L5L 4X5

For mailing in the US

Pour diffusion aux États-Unis

Por correo en los EE.UU.

OMCAN

PRODUCT WARRANTY REGISTRATION

4450 Witmer Industrial Estates, Unit 4,

Niagara Falls, New York

USA, 14305

or email to: service@omcan.com



Purchaser's Information

Name: _____

Address: _____

City: _____ Province or State: _____ Postal or Zip: _____

Country: _____

Dealer from which Purchased: _____

Dealer City: _____ Dealer Province or State: _____

Invoice: _____

Model Name: _____ Model Number: _____

Machine Description: _____

Date of Purchase (MM/DD/YYYY): _____

Would you like to extend the warranty? Yes No

Company Name: _____

Telephone: _____

Email Address: _____

Type of Company:

Restaurant Bakery Deli

Butcher Supermarket Caterer

Institution (specify): _____

Other (specify): _____

Serial Number: _____

Date of Installation (MM/DD/YYYY): _____

Thank you for choosing Omcan | Merci d'avoir choisi Omcan | Gracias por elegir Omcan



Since 1951 Omcan has grown to become a leading distributor of equipment and supplies to the North American food service industry. Our success over these many years can be attributed to our commitment to strengthen and develop new and existing relationships with our valued customers and manufacturers. Today with partners in North America, Europe, Asia and South America, we continually work to improve and grow the company. We strive to offer customers exceptional value through our qualified local sales and service representatives who provide convenient access to over 6,500 globally sourced products.

Depuis 1951 Omcan a grandi pour devenir un des “leaders” de la distribution des équipements et matériel pour l’industrie des services alimentaires en Amérique du Nord. Notre succès au cours de ces nombreuses années peut être attribué à notre engagement à renforcer et à développer de nouvelles et existantes relations avec nos clients et les fabricants de valeur. Aujourd’hui avec des partenaires en Amérique du Nord, Europe, Asie et Amérique du Sud, nous travaillons continuellement à améliorer et développer l’entreprise. Nous nous efforçons d’offrir à nos clients une valeur exceptionnelle grâce à nos ventes locales qualifiées et des représentants de service qui offrent un accès facile à plus de 6500 produits provenant du monde entier.

Desde 1951 Omcan ha crecido hasta convertirse en un líder en la distribución de equipos y suministros de alimentos en América del Norte industria de servicios. Nuestro éxito en estos años se puede atribuir a nuestro compromiso de fortalecer y desarrollar nuevas relaciones existentes con nuestros valiosos clientes y fabricantes. Hoy con socios de América del Norte, Europa, Asia y América del Sur, que trabajan continuamente para mejorar y crecer la empresa. Nos esforzamos por ofrecer a nuestros clientes valor excepcional a través de nuestro local de ventas y representantes de los servicios que proporcionan un fácil acceso a más de 6,500 productos con origen a nivel mundial.

